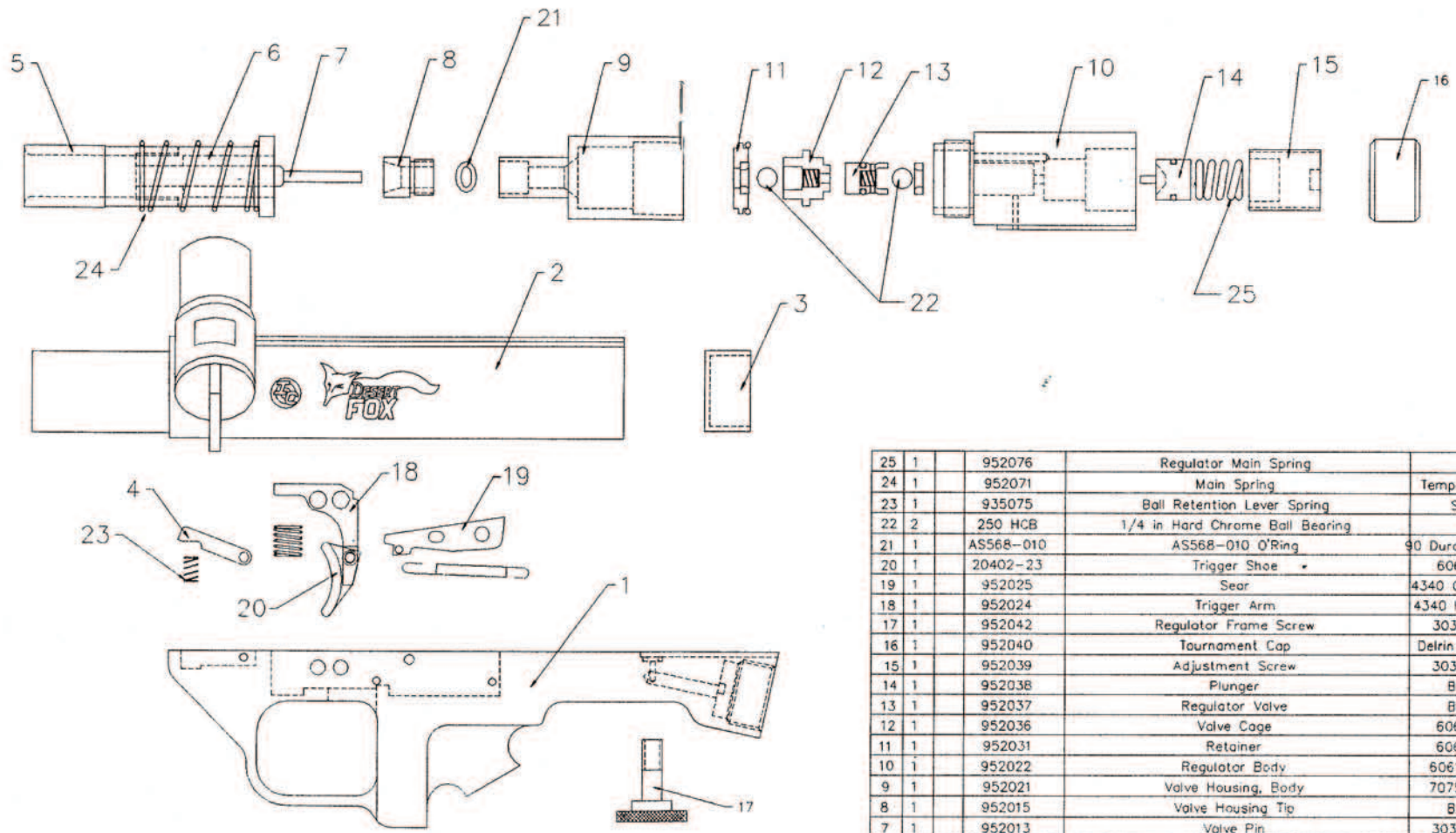


ECO NO.	REV.	DESCRIPTION	DATE	APPROVED



QTY	ECO	PART	DESCRIPTION	MTL
25	1	952076	Regulator Main Spring	
24	1	952071	Main Spring	Tempered MW
23	1	935075	Ball Retention Lever Spring	SSTL
22	2	250 HCB	1/4 in Hard Chrome Ball Bearing	
21	1	AS568-010	AS568-010 O'Ring	90 Duro Urethane
20	1	20402-23	Trigger Shoe	6061-T6
19	1	952025	Sear	4340 Carburized
18	1	952024	Trigger Arm	4340 Ht 54 Rc
17	1	952042	Regulator Frame Screw	303 CRES
16	1	952040	Tournament Cap	Delrin Acetate
15	1	952039	Adjustment Screw	303 CRES
14	1	952038	Plunger	Brass
13	1	952037	Regulator Valve	Brass
12	1	952036	Valve Cage	6061-T6
11	1	952031	Retainer	6061-T6
10	1	952022	Regulator Body	6061-T651
9	1	952021	Valve Housing, Body	7075-T651
8	1	952015	Valve Housing Tip	Brass
7	1	952013	Valve Pin	303 CRES
6	1	952012	Piston	4340 HT 54 Rc
5	1	952009	Bolt Tip, Clover chamber	Delrin acetate
4	1	935007	Ball Retention Lever	6061-T6
3	1	952004	Spring Case	Delrin Acetate
2	1	952003	Upper Receiver	6061-T651
1	1	952001	Lower Receiver Frame	6061-T651

NOTICE IS HEREBY GIVEN THAT THIS DRAWING IS PART OF THE ARTICLE OWNED IN WHOLE BY INDIAN CREEK DESIGN, INC., KNOWN AS INDICATED ON THE DRAWING AND ALL RIGHTS OF MANUFACTURE AND REPRODUCTION OF SUCH ARTICLES OR ANY PART THEREOF IS RESERVED BY INDIAN CREEK DESIGN, INC., AND NEITHER SAID ARTICLE NOR ANY PART THEREOF MAY BE MANUFACTURED OR REPRODUCED EXCEPT BY WRITTEN AUTHORIZATION FROM INDIAN CREEK DESIGN, INC. ALL PROPRIETARY RIGHTS AND INFORMATION ARE THE SOLE PROPERTY OF INDIAN CREEK DESIGN, INC.

UNLESS OTHERWISE SPECIFIED DIMENSIONS ARE IN INCHES TOLERANCES ARE:		INDIAN CREEK DESIGN, Inc.	
FRACTIONS	DECIMALS	ANGLES	DATE
±	±	±	12/94
DRAWN: Jerry Dobbins		DATE: 12/94	
MATERIAL:		SIZE DWG NO. REV.	
FINISH:		C 952000 Assy B	
DO NOT SCALE DRAWING		SCALE 1:1 SHEET 1 OF 1	