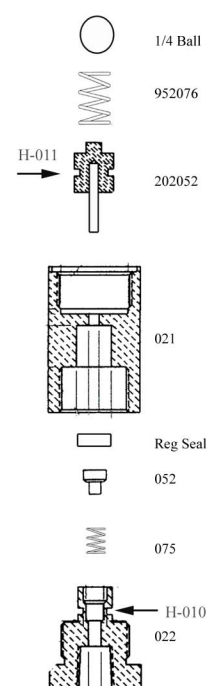
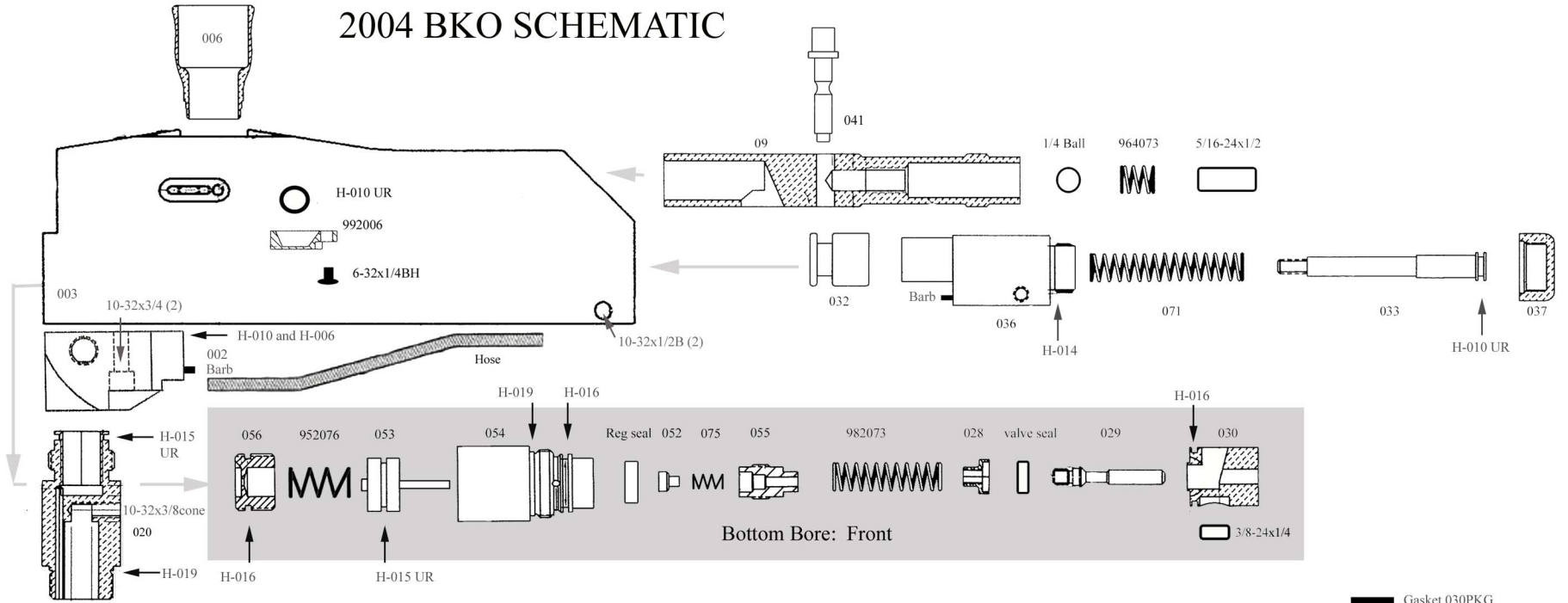
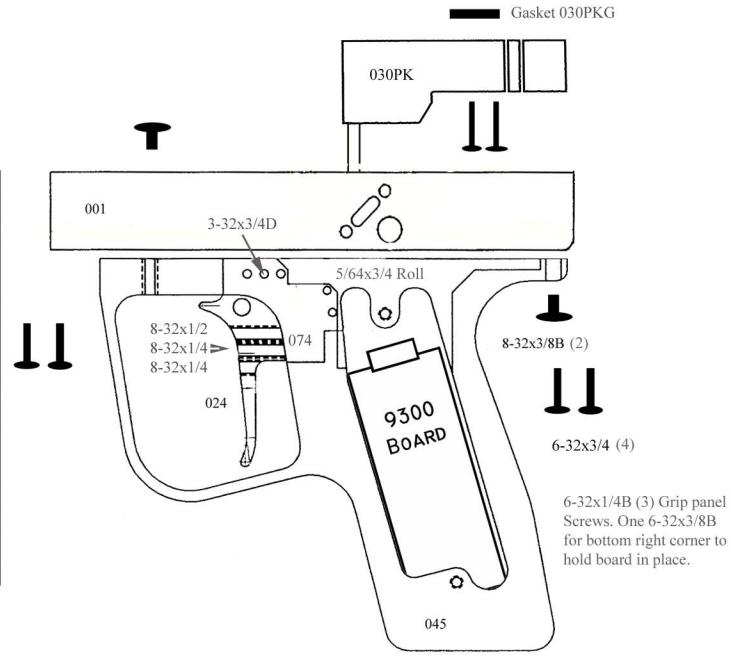


2004 BKO SCHEMATIC



202001	Lower Receiver/Tray
204002	Regulator Mount
204003	Upper Receiver
982006	Feed Tube
982009	Bolt
202020	HP Reg Upper Body
202021	HP Reg Middle Body
202022	HP Reg Cup Housing
982028	Valve Cup
982029	Valve Pin
982030	Valve Seat
202030PK	3-way Solenoid Valve
982032	Hammer
202033	Cylinder Piston
202036	Cylinder Main Body
202037	Cylinder End Cap

982041	Link Pin
982052	Reg Cup
202052	HP Regulator Piston
982053	LP Reg Piston
982054	LP Reg Body
982055	LP Reg Cup Housing
982056	LP Reg Adjustment Screw
992006	Ball Detent Housing
993024	Trigger
993045	Grip Frame
202071	Cylinder Main Spring
982073	Valve Spring
935075	Reg Cup Spring
952076	Reg Main Spring
964073	Bolt Retention Spring
993074	Trigger Spring



6-32x1/4B (3) Grip panel Screws. One 6-32x3/8B for bottom right corner to hold board in place.