

# 2005 FS-7 Schematic

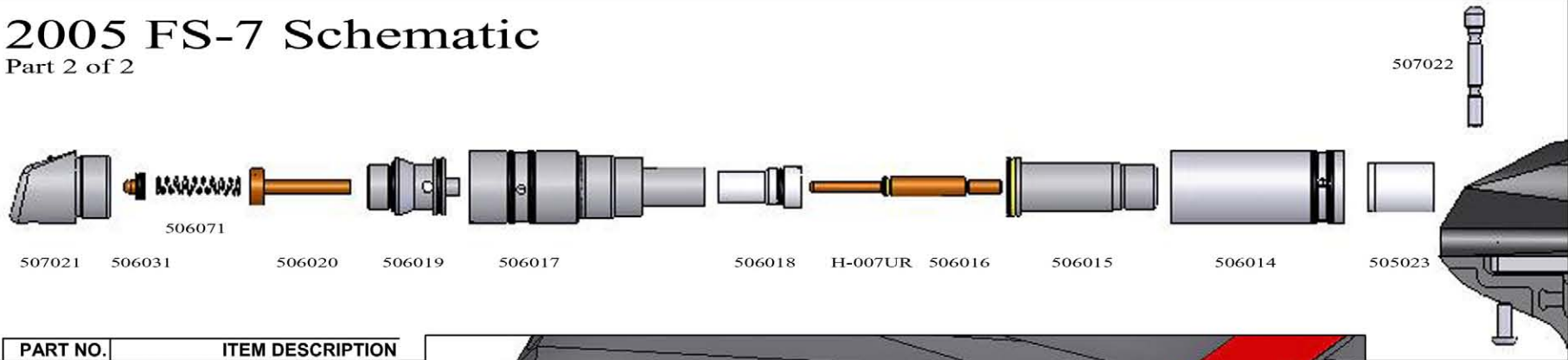
Part 1 of 2



PART NO.	ITEM DESCRIPTION
<b>MACHINED PARTS</b>	
507001	MAIN BODY
506002	REG ADAPTER
507003	EYE COVER L AND R
505004	BALL DETENT
507005R	GRIP FRAME RIGHT SIDE
507005L	GRIP FRAME LEFT SIDE
506006	AIR FLOW TUBE
506007	REAR MANIFOLD BODY
505008	FEED NECK
505009	FEED CROWN
505010	BARREL
505011	LP REG BODY
505012	LP REG ADJ.
505013	CUP HOUSING LPR
506014	CYLINDER
506015	PISTON
506016	VALVE PIN
506017	VALVE STEM
506018	VALVE TIP
506019	VALVE BODY
506020	VALVE POPPET
507021	CYLINDER BACK BODY
505021	REG CUP
507022	LINK PIN
505023	BOLT TIP
505024	TRIGGER
505025	HIGH PRESSURE REG BODY
505026	HIGH PRESSURE REG BOTTOM
505027	HIGH PRESSURE REG TOP
505028	REG SPRING SPACER
505029	LP REG SPACER
505030	DROP PLUNGER
506031	LINK PISTON
505031	REG PISTON
505032	DROP ON-OFF KNOB
505033	DROP RAIL
505034	DROP BODY

# 2005 FS-7 Schematic

Part 2 of 2



PART NO.	ITEM DESCRIPTION
<b>MACHINED PARTS</b>	
507001	MAIN BODY
506002	REG ADAPTER
507003	EYE COVER L AND R
505004	BALL DETENT
507005R	GRIP FRAME RIGHT SIDE
507005L	GRIP FRAME LEFT SIDE
506006	AIR FLOW TUBE
506007	REAR MANIFOLD BODY
505008	FEED NECK
505009	FEED CROWN
505010	BARREL
505011	LP REG BODY
505012	LP REG ADJ.
505013	CUP HOUSING LPR
506014	CYLINDER
506015	PISTON
506016	VALVE PIN
506017	VALVE STEM
506018	VALVE TIP
506019	VALVE BODY
506020	VALVE POPPET
507021	CYLINDER BACK BODY
505021	REG CUP
507022	LINK PIN
505023	BOLT TIP
505024	TRIGGER
505025	HIGH PRESSURE REG BODY
505026	HIGH PRESSURE REG BOTTOM
505027	HIGH PRESSURE REG TOP
505028	REG SPRING SPACER
505029	LP REG SPACER
505030	DROP PLUNGER
506031	LINK PISTON
505031	REG PISTON
505032	DROP ON-OFF KNOB
505033	DROP RAIL
505034	DROP BODY

