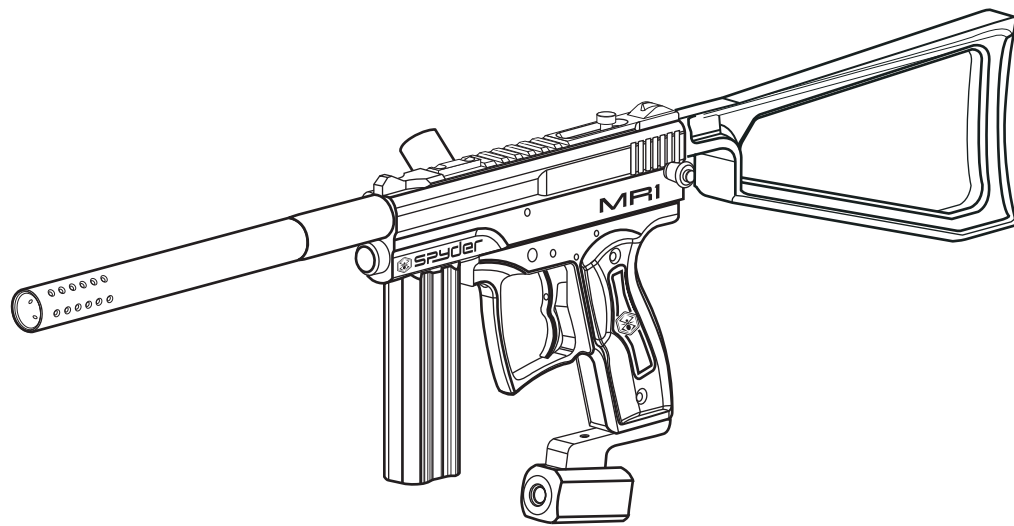
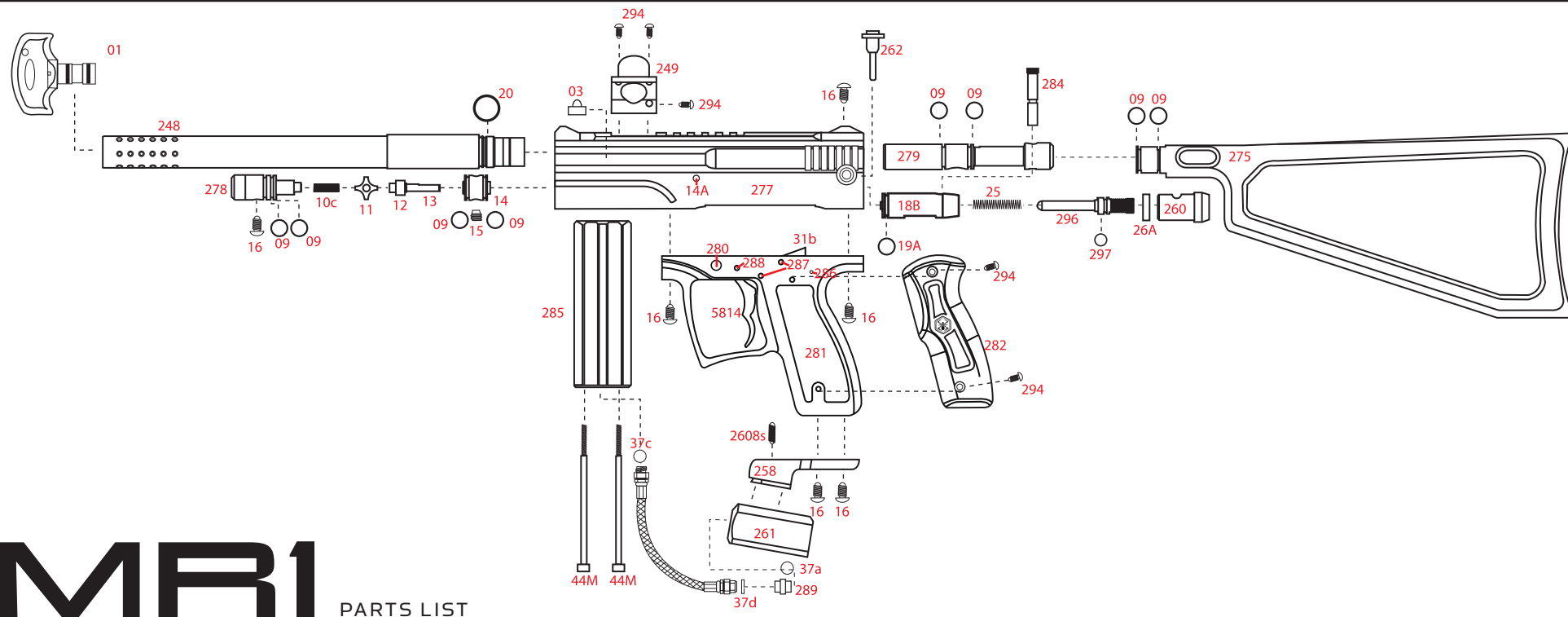


# SPYDER MR1



## !CAUTION!

- This paintball marker is NOT a toy. It can cause serious injury or death.
- Kingman recommends that customers be at least 18 years of age to purchase this product.
- Firmly install a barrel blocking device when marker is not in use.
- All persons using this product, or within range while this product is being used, must wear eye and face protection specifically designed for paintball.
- Never shoot a person who is not wearing proper protection.
- Treat every paintball marker as if it were loaded.
- Never look down the barrel of the marker.
- Keep the paintball marker on SAFE until ready to shoot.
- Always remove gas source before disassembly.
- Fire only 0.68 caliber paintballs from this product.
- Read this manual and air system warnings before using this product.
- Any modifications or tempering of original factory parts will void all warranties and liabilities from Kingman.
- Always make certain the bolt is in the un-cocked position when marker is not in use.
- Always put marker on SAFE when marker is not in use.
- Transfer this instruction manual upon change of marker ownership.



# MR1 PARTS LIST

ITEM #:	NAME OF PARTS:	ITEM #:	NAME OF PARTS:	ITEM #:	NAME OF PARTS:	ITEM #:	NAME OF PARTS:
01	Spyder Barrel Plug	294	MR1/MR2 M4 x 8 Screw w/washer	258	MR1/MR2 2" Dovetail Drop Forward	37A	Filter O-ring
248	MR1/MR2 12' Barrel	16	M5 x 12 Screw	261	MR1/MR2 Dovetail Bottom-Line ASA	37B	Air Filter
03	Ball Stopper	279	MR1 Venturi Bolt	26085	Drop Forward Lock Screw	37C	Disconnect O-ring #011
249	MR1/MR2 Feed Neck	18B	Striker Bolt	280	MR1 Safety Button Set (med)	37D	Plastic Washer
277	MR1 Receiver	19A	Striker O-Ring	281	MR1 Trigger Frame	295*	MR 1 Spare Parts Kit
278	MR1 Reservoir Plug	20	Barrel O-Ring (Black)	282	MR1 Grip Panels	5814	Double Trigger
9	O-Ring #015 80D	262	MR1/MR2 Quick Disconnect Pin	283	Male STD / Female Metric	275	MR1/MR2 Shoulder Stock
10C	Valve Spring	25	Striker Spring	284	MR 1 Pull Pin Cocking Knob		
11	Cup Seal Guide	26A	Striker Buffer	285	MR 1 Foregrip		
12	Cup Seal	31B	Sear	44M	Foregrip Fixing Screws w/washers		
13	Valve Pin	260	MR1/MR2 Striker Plug	286	Secondary Roll Pin (small)		
14	Valve Body	296	Velocity Adjuster	287	Sear Roll Pin (med)		
14A	Valve Body Roll Pin	297	Velocity Adjuster O-ring	288	Trigger Roll Pin (large)		
15	Valve Body Screw	31E	Sear Spring	289	Hose 7.75"		

\* not pictured