

Spyder Electra & Electra DX

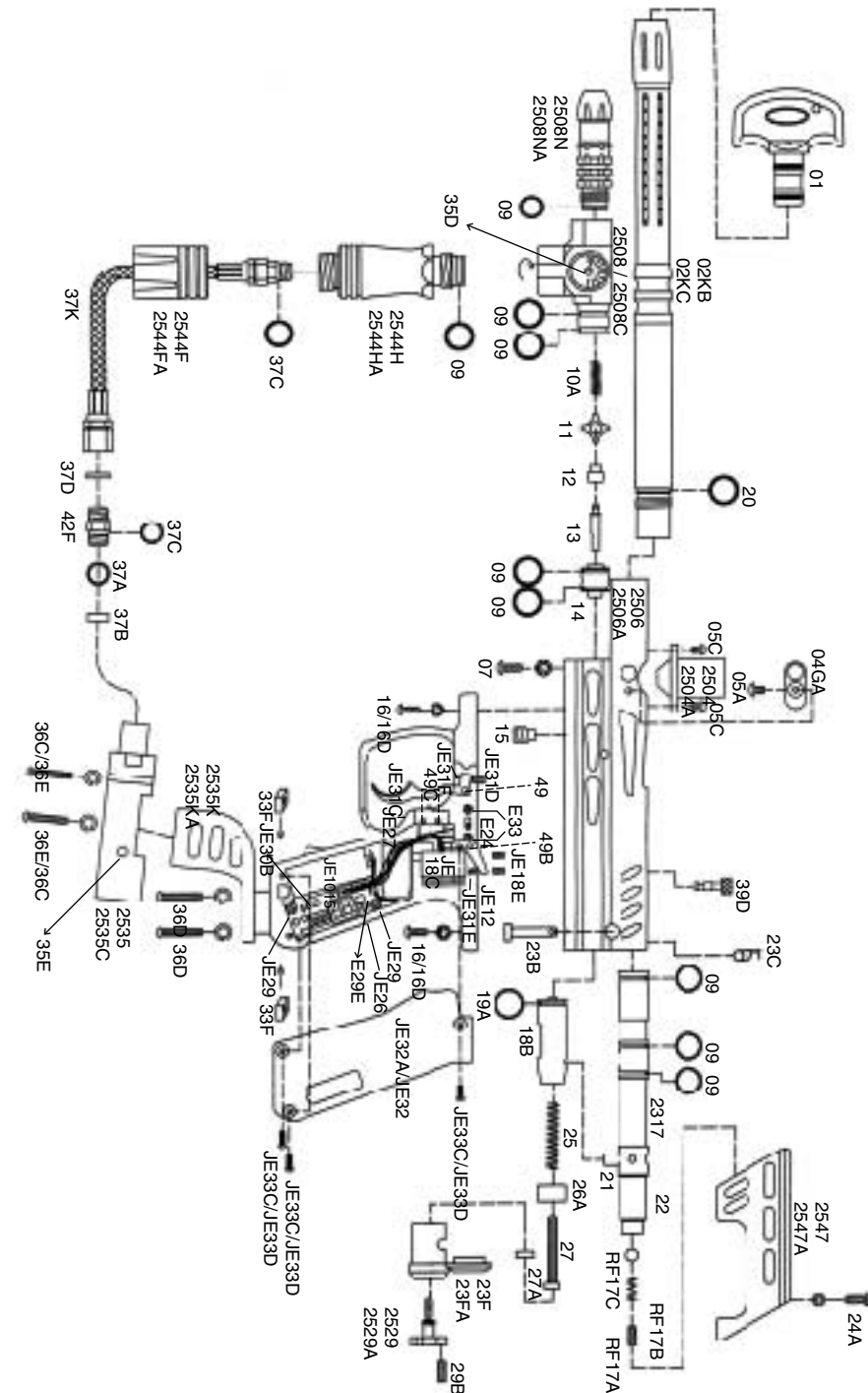
(Matte Black and Matte Blue)

ITEM #	NAME OF PARTS
01	Spyder Barrel Plug
02KB	Electra 13.5" Barrel (Black)
02KC	Electra 13.5" Barrel (Blue)
04GA	Mini Detent Cover (Black)
05A	M4 x 6 Screw (Black)
05B	M4 x 6 Screw (Silver)
05C	Direct Feed Screw
07	M5 X 14 Screw w/ Washer
09	O-Ring #015 80D
10A	Valve Spring
11	Cup Seal Guide
12	Cup Seal
13	Valve Pin
14	Valve Body
15	Valve Body Screw
16	M5 x 12 Screw (Black)
16D	M5 x 12 Screw (Silver)
2317	Electra Venturi Cocking Bolt
RF17A	Retaining Screw
RF17B	Retaining Spring
RF17C	Retaining Ball
JE18A	Striker
19A	Striker O-Ring
20	Barrel O-Ring (Black)
21	Bolt Pin
2504	Direct Feed (Black)
2504A	Direct Feed (Blue)
2506	Electra Receiver (Black)
2506A	Electra Receiver (Blue)
2508	Vertical Adapter (Black)
2508C*	Vertical Adapter w/ Gauge (Blue)
2508N	Low Pressure Chamber (Black)
2508NA	Low Pressure Chamber (Blue)
23F	Striker Plug (Black)
23FA	Striker Plug (Silver)
2535	C/A Adapter (Black)
2535C*	C/A Adapter w/ Regulator (Blue)
2544F	Mini Fore Grip (Black)
2544FA	Mini Fore Grip (Blue)
2544H	Model S Expansion Chamber (Pewter)
2544HA	Model S Expansion Chamber (Silver)
21	Bolt Screw
22B	M4 X 8 Screw w/Washer (Black)
23B	Quick Disconnect Pin
23C	Disconnect Pin Lock
24A	Sight Rail Screw w/ washer
25	Striker Spring
26A	Striker Buffer

ITEM #	NAME OF PARTS
27	Striker Spring Guide
27A	Flat Disc
29B	Lock Screw
E29E	LED Circuit Board
2529	Thumb Adjuster w/ Screw (Black)
2529A	Thumb Adjuster w/ Screw (Blue)
33F	Compact Nut Screw
35D	Spyder Gauge
35F	Regulator Lock Screw
2535K	Electra Drop Forward (Black)
2535KA	Electra Drop Forward (Blue)
36C	5/32" X 7/8" Screw (Silver)
36D	5/32" x 5/8" Screw (Black)
36E	5/32" X 7/8" Screw (Black)
37A	Filter O-Ring
37B	Air Filter
37C	Disconnect O-Ring #011 (Black)
37D	Plastic Washer
2537	Electra Disconnect Hose
39D	Electra Striker Knob
2541	Electra Spare Parts Kit
42	Male To Male Adapter
42F	C/A Male Adapter
2547	Electra Sight Rail (Black)
2547A	Electra Sight Rail (Blue)
49	Trigger Roll Pin
49B	Secondary Sear Roll Pin
49C	Touch Switch Roll Pin
E24	On/Off Switch with Wiring Harness
E24A	Battery Harness
E33	On/Off Screw (M2 x 6 Screw)
E40	Straight Elbow - 2 3/4"(Clear)
JE1015	Java 9.6v Rechargeable Battery
JE12	Trigger Sear
JE18C	Coil Set
JE18E	Coil Set Screw
JE26	Charge Pin
JE27	Touch Switch
JE29	Circuit Board Screw
JE30B	Tournament Lock Switch
JE31C	Trigger
JE31D	Trigger Adjust Screw
JE31E	Sear Spring
JE31F	Trigger Spring
JE32	Grip Cover (Black)
JE32A	Grip Cover (Clear)
JE33C	Grip Cover Screw (Black)
JE33D	Grip Cover Screw (Silver)

* For Electra DX Model Only.

P2



P3

SPYDER Electra and Electra DX Parts List