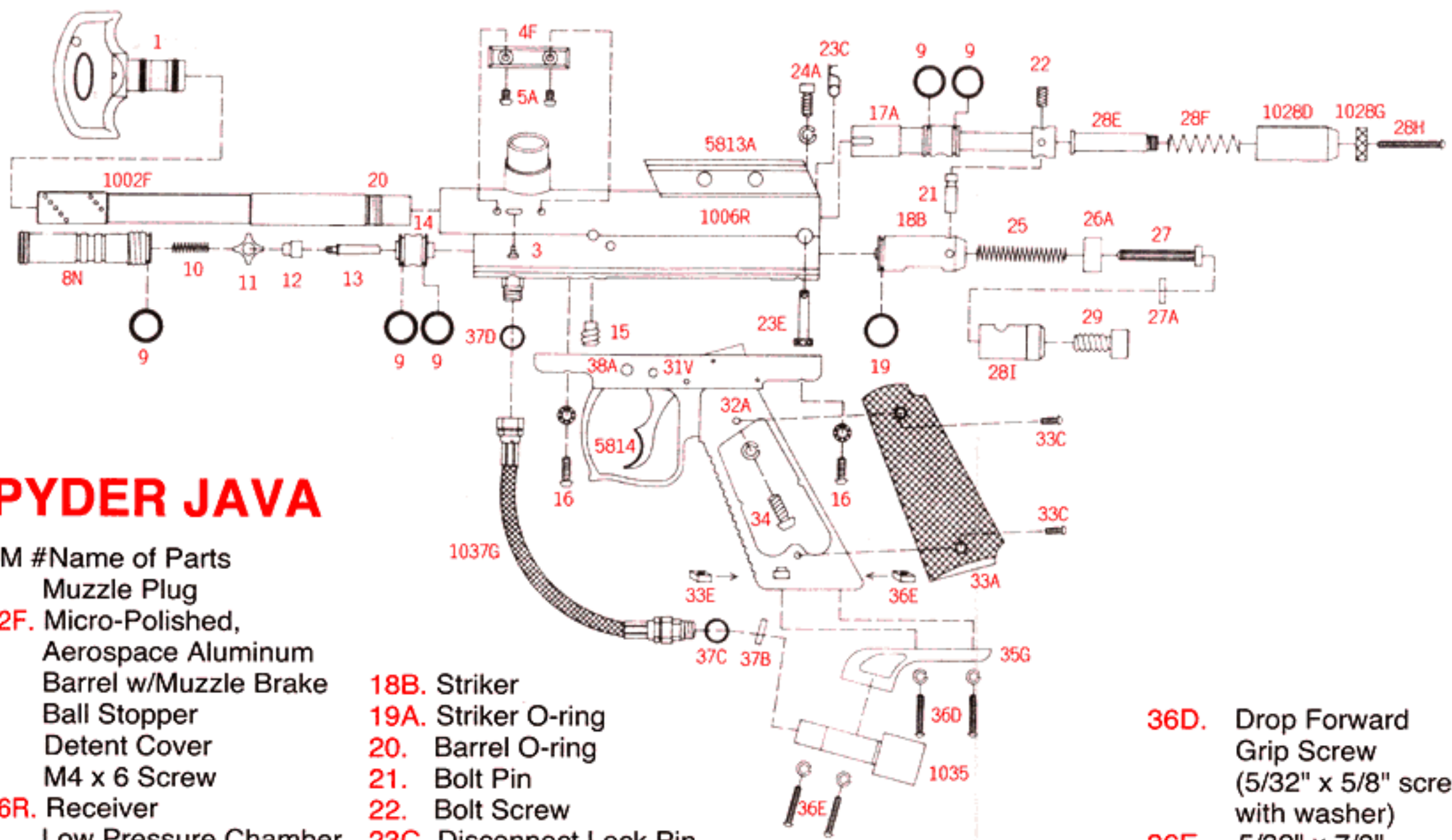


Spyder JAVA



SPYDER JAVA

ITEM #Name of Parts

- 1. Muzzle Plug
- 1002F. Micro-Polished, Aerospace Aluminum Barrel w/Muzzle Brake
- 3. Ball Stopper
- 4F. Detent Cover
- 5A. M4 x 6 Screw
- 1006R. Receiver
- 8N. Low Pressure Chamber
- 9. O-ring #015 80D
- 10. Valve Spring
- 11. Cup Seal Guide
- 12. Cup Seal
- 13. Valve Pin
- 14. Valve Body
- 15. Valve Body Screw
- 16. M5 x 12 Screw with washer
- 17A. 2nd Generation Venturi Bolt
- 18B. Striker
- 19A. Striker O-ring
- 20. Barrel O-ring
- 21. Bolt Pin
- 22. Bolt Screw
- 23C. Disconnect Lock Pin
- 23E. Quick Disconnect T-Pin
- 24A. Sight Rail Screw
- 25. Striker Spring
- 26A. Striker Buffer
- 27. Striker Spring Guide
- 27A. Flat Disk
- 28I. Striker Plug
- 28D. Snap Bolt Plug
- 28E. Snap Tube
- 28F. Tube Spring
- 28G. Snap Cocking Knob
- 28H. Snap Rod
- 29. Adjust Screw
- 31V. Deluxe Double Trigger Frame & Assembly
- 32A. 45 Grip
- 33A. 45 Grip cover
- 34. 1/4" x 1" Screw with washer
- 1035. C/A Adapter
- 35G. Drop Forward
- 36D. Drop Forward Grip Screw (5/32" x 5/8" screw with washer)
- 36E. 5/32" x 7/8" screw with washer
- 37A. Filter O-ring #009
- 37B. Air Filter
- 37C. #011 O-ring
- 37D. Plastic washer
- 1037G. Disconnect Hose
- 38A. Safety Button
- 40. Powerfeed Plug
- 1041F. Spare Parts Kit
- 5813A. Raised Mini Sight Rail