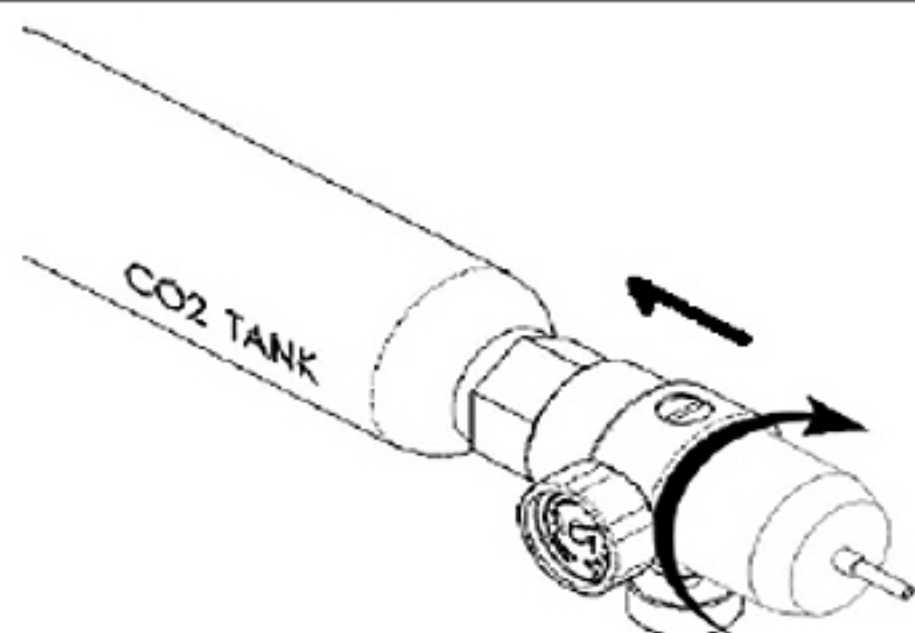


RAP4 GRENADE CHARGER USER MANUAL

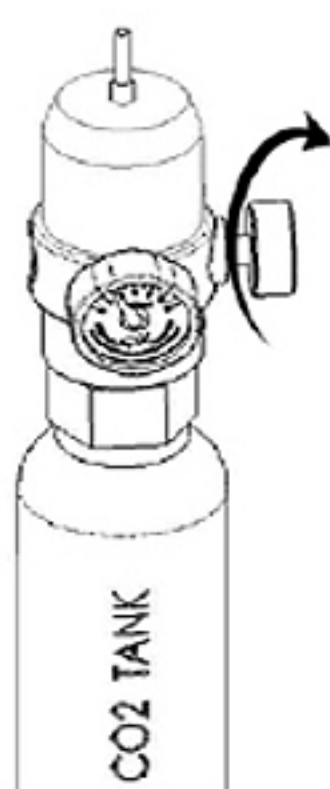
**** CO2 regulator will provide you regulated pressure and pure "GAS" CO2 (No liquid CO2 output)**



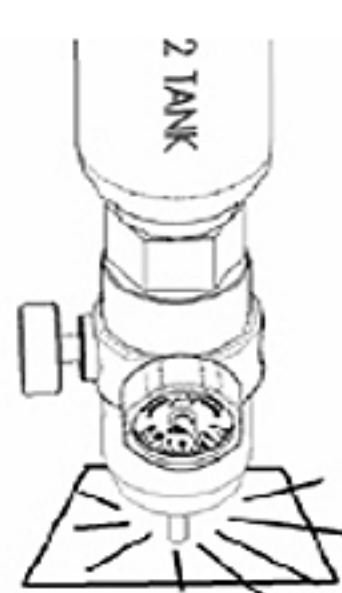
Step 01 : Attach charger onto your CO2 tank. Sometimes it is hard to install charger onto CO2 Tank because of the initial CO2 pressure will try to push out the charger. Make sure you totally thread charger onto CO2 tank.



Step 03 : If you don't want to use charger for a while, you need to take off the charger. First, loose the knob by turning counter-clockwise. (If not, the spring may lose the elasticity.) Continue to Step 04.



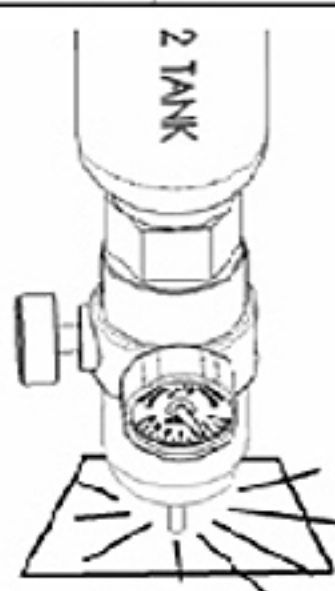
Step 02 : Clockwise turn "Pressure adjustment knob" "slowly" and you will see the pressure will go up slowly. Stop turning knob when pressure reaches to what you want. (1kg=14.28psi. Please adjust the correct pressure for your gears)



If the pressure is higher than what you want, you need to turn the charger vertical down and release pressure by pushing charger onto hard surface. Again, follow Step 01 to adjust the pressure. **(Important!!)** Apply vertical force onto CO2 tank only or the fill stem will be broken.)

IMPORTANT!!

Always apply vertical force or the fill stem will be broken



Step 04 : Once you process step 03, you need to push the charger vertical down and release the rest of CO2 inside charger (If not, o-ring may be failed in the long-run. Continue to Step 05

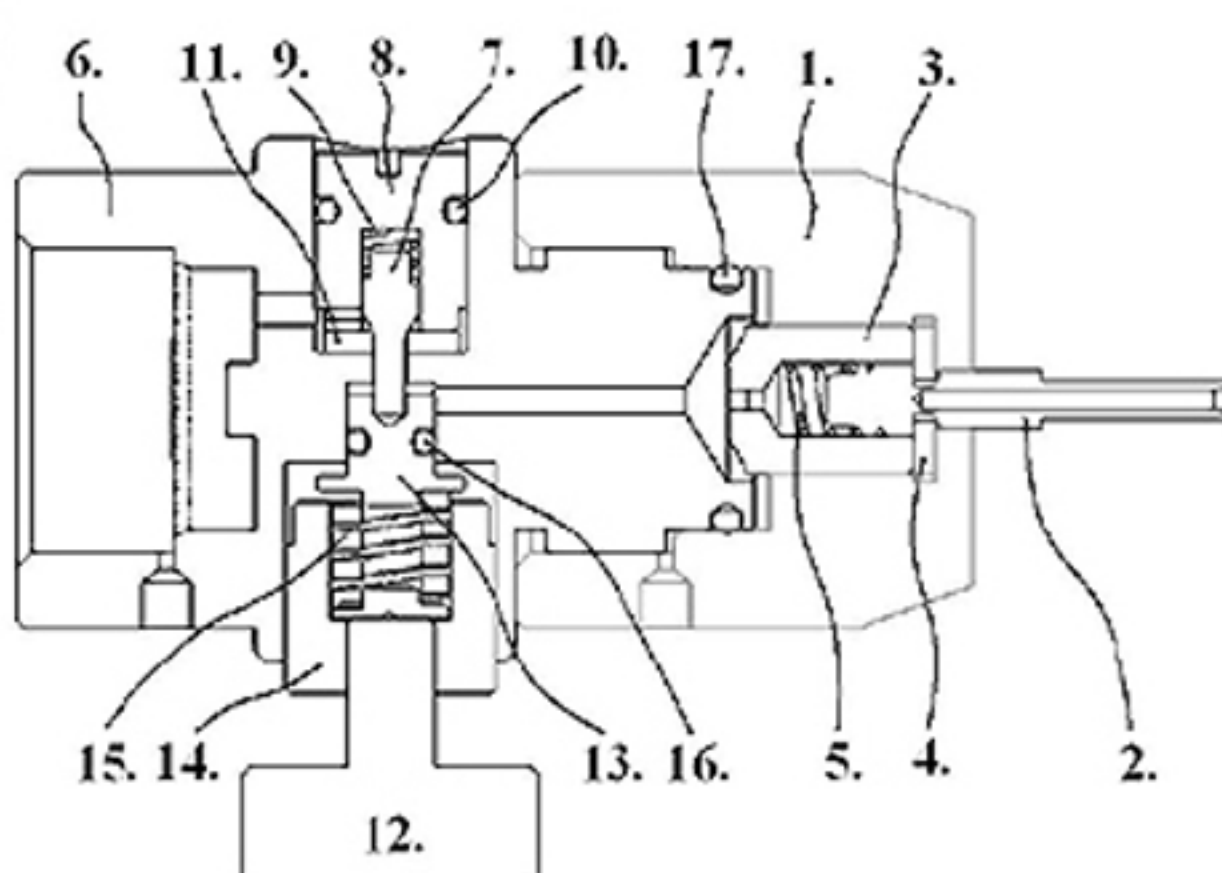


Step 05 : Then, counter-clockwise turn the charger (about 1/2~1 turn) to release the rest of CO2. **(WARNING: Keep away from your eyes, immediately high pressure release may hurt your eyes.) WEAR GOGGLE ALL THE TIME!**

Important Notice:

1. This CHARGER is only for paintball. Unauthorized modified will cause damage.
2. For safety reason, disassemble is not allowed. If you find problems with your CHARGER, consult with your local dealers.
3. Maintenance: Please use silicon oil to lubricate the components frequently.
4. Only replaced with the original factory parts in order to ensure the quality and safety.

Details :



1.	Major Body	10.	O-ring for 8.
2.	Fill stem	11.	Anti-freeze O-ring
3.	brass screw	12.	Pressure adjustment knob
4.	Rubber packing	13.	Pressure adjustment valve
5.	Spring of fill stem	14.	Pressure adjustment valve base
6.	XC-02 Main Body	15.	Spring for 13.
7.	Pressure adjustment pin	16.	Pressure adjustment valve O-ring
8.	Pressure adjustment pin adapter	17.	O-ring (same size to CO2 tank O-ring)
9.	Spring for 7.	18.	CO2 pressure meter (Not showing in diagram)