
Owner's Manual

RAP226

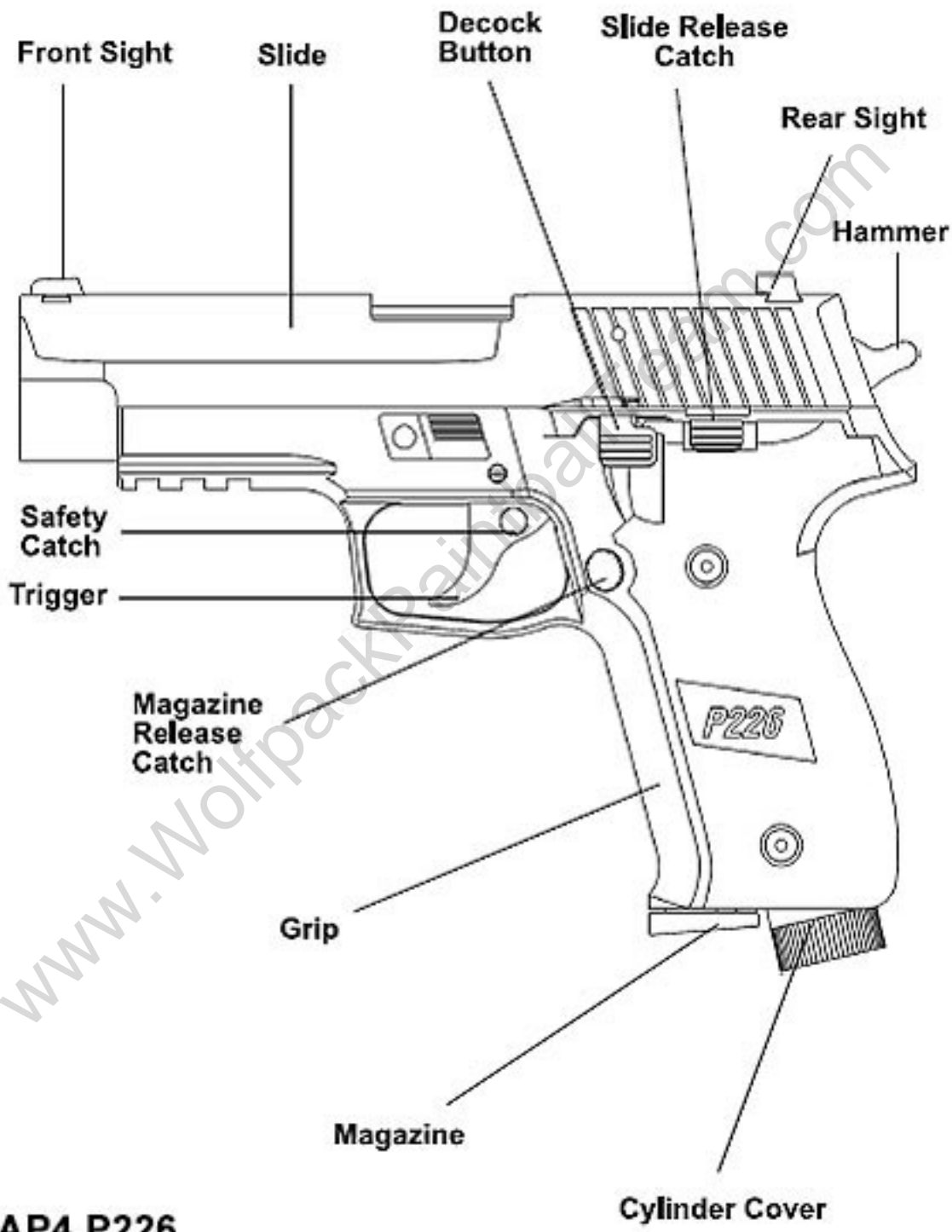
Real Action Marker™

Caliber 0.43



This Real Action Marker™ is not a toy and it is not intended for unsupervised use by any persons under the age of 18 years.

Warning: Before using this product, please read all instructions carefully.



RAP4 P226

Cylinder Cover

Important Notices

- Read the Owner's Manual carefully before using the Marker to avoid any unnecessary accidents or injuries.
- You must be at least 18 years old to operate and handle the Marker.
- Failure to follow the instructions may result in serious injury such as blindness and/or damage to property.
- Wear a protective mask at all times while operating this Marker to avoid injury to your face or eyes.
- DO NOT point or shoot the Marker at anyone who is not wearing a protective equipment.
- Keep the Gas Cylinder and the Marker away from fire or a high temperature area (in excess of 113 F or 45 C).
- Only use Co2 in the Gas Cylinder to operate the Marker.
- DO NOT attempt to disassemble the Marker and gas cylinder when the Gas Cylinder is attached to the Marker.
- Only load the correct size projectiles into the Marker.
- Only use recommended projectiles in the Marker.
- Carry the Marker in a carrying case when in view of the public.
- Ship the Marker or accessories in the original case.
- DO NOT attempt to rebuild or modify the Marker. You may cause serious injuries and may damage the Marker during use. Any unauthorized modification will void all warranties.
- Remove the Gas Cylinder from the Marker after use.
- Keep the Marker and the Gas Cylinder out of reach of children at all times.
- Ensure the muzzle energy (joule) and velocity of the Marker is within the limits of local laws and regulations.
- Immediately seek medical attention if you or anyone is injured by the Marker.

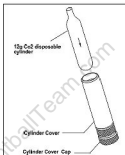
Important Notices (Con')

- Only authorized technicians are permitted to repair the Marker. Contact us for the nearest Authorized Service Center.
- DO NOT ATTEMPT to disassemble and assemble the Gas Cylinder or the Main Core.
- Ensure the Safety Catch is on "SAFE" before and after using the Marker.
- WEAR appropriate protective equipment and eye/face/head protection when using the Marker.

www.WolfpackPaintballTeam.com

Installing a Disposable Cylinder

1. Lock the Slide to the Rear and then Release it forward.
2. Unscrew the End Cap loosely (two full turns) of the Cylinder Cover.
3. Put one 12g Co2 Disposable cylinder into the Cylinder Cover.
4. Insert the Cylinder Cover containing with 12g Co2 Disposable cylinder into the marker and screw it in tight.
5. Screw the End Cap and punch and drill the 12g Co2 Disposable cylinder.

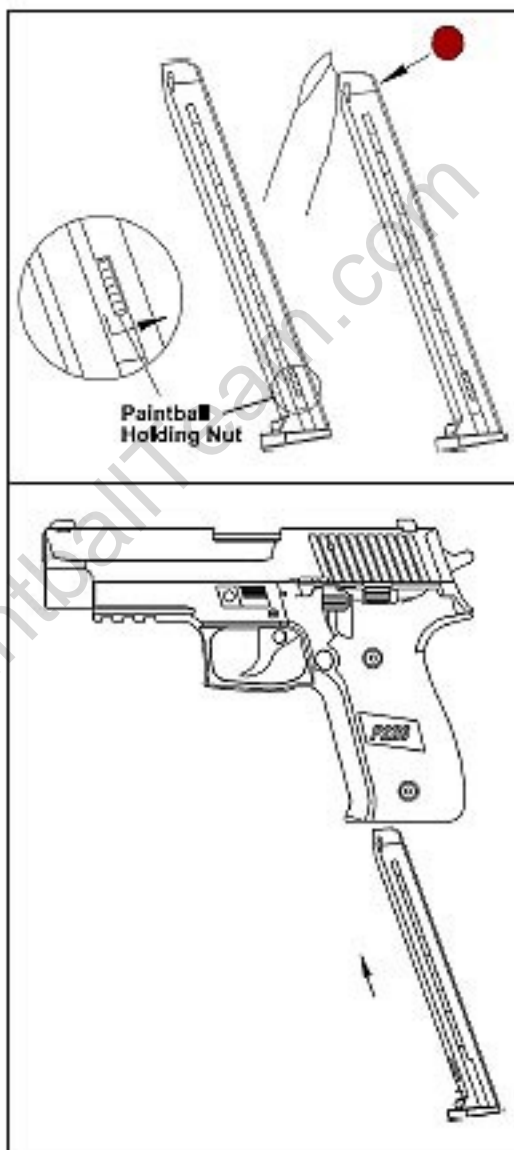


Projectile and Magazine Loading Procedures

1. Pull down the Projectile Holding Nuts (follower) on the magazine until it locks into the notch.
2. Insert projectiles into the Magazine. Each Magazine will hold up to 9 Projectiles.
3. Insert the Magazine into the Magazine well.

Notice:

Each 12 Gram Co2 Cylinder will shoot up to 30 times. You will need to change the Co2 cylinder to maintain the same performance. Insufficient pressure may cause Marking Projectiles to break inside the Barrel. This will also change the shooting performance of the Pistol Marker.



Firing Procedures

1. Cock the Marker and Release the slide to let the Slide forward in order to load a Projectile into the chamber.
2. Press the Safety Catch from right to left.
3. Press the trigger to shoot the projectile.
4. When stop firing press the Safety Catch from left to right.

Decock function Operation (if appropriate):

Press the Decock button once when the loading is ready.



Magazine Unloading Procedures

1. Press the Magazine Release Button and let the Magazine drop from the Pistol Marker.
2. Lock the Slide to the rear and check the chamber clear and there are no projectiles.
3. Press down the Slide Release Catch to release the slide forward.
4. The Pistol Marker is Unloaded.

Notice:

The Slide will lock to the rear when the Magazine is in empty.



Cleaning Barrel Procedures

1. Remove the Magazine and lock the Slide to the rear,
2. Pass one end of the Cleaning Tool through the barrel from the Ejection Port. Attach a patch on the other end of the Cleaning Tool.
3. Pull the Cleaning Tool through the barrel slowly.
4. Repeat this procedure with a clean patch if necessary.

