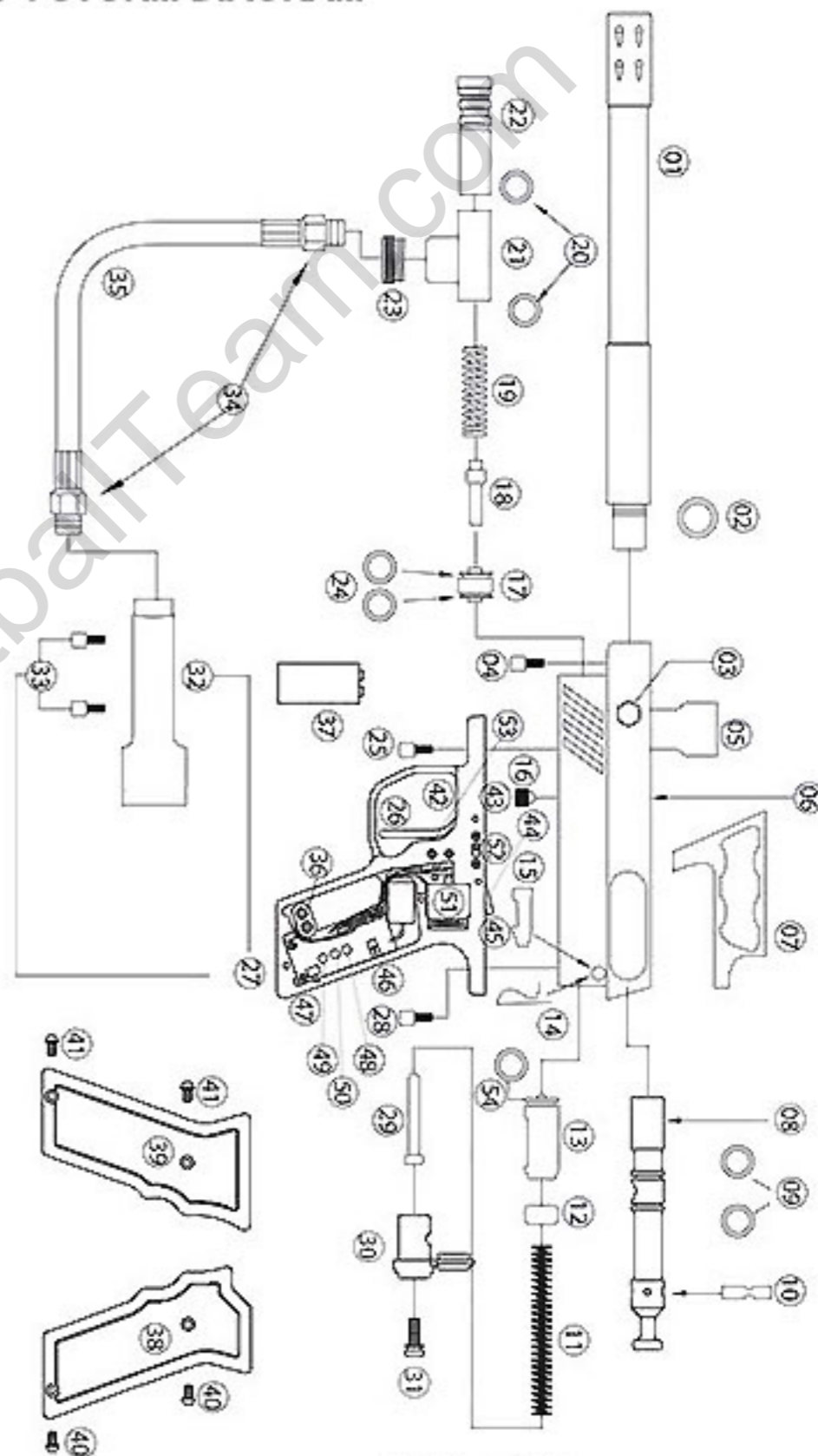


PARTS NAME LIST

1	9 1/2" Barrel	36	9V Battery Clip
2	Barrel O-Ring	37	Battery
3	Ball Detent	38	Grip Cover
4	Vertical Adapter Screw	39	Grip Cover
5	Vertical Feed	40	Grip Cover Screws
6	Main Body	41	Grip Cover Screws
7	Sight Rail	42	Trigger Spring
8	Bolt	43	Trigger Roll Pin 2pcs
9	Bolt O-Ring	44	Seal
10	Pin	45	Seal Spring
11	Velocity Spring	46	Charge Pin
12	Buffer	47	Tack Switch
13	Striker	48	Low Battery Indicator
14	Pull Pin	49	Mode Indicator
15	Connecting Pin	50	R.O.F Indicator
16	Valve Screw	51	Selnoliod
17	Valve	52	ON/OFF Switch
18	Cup Seal/Valve Stem	53	Touch Switch
19	Cup Seal Spring	54	Striker O-Ring
20	O-Ring		
21	Vertical Adapter		
22	High Volume Cell		
23	Gun to Hose Adapter		
24	Valve O-Ring		
25	Trigger Screw		
26	Blade Trigger		
27	Trigger Frame		
28	Trigger Screw		
29	Spring Guide		
30	Hummer Plug		
31	Speed Adjust		
32	Bottom Line		
33	Bottom Line Screws		
34	Hose Adapters		
35	Hose		

RAP4 STORM DIAGRAM



RAP4.COM