
Owner's Manual

RAP68 Shotgun

Real Action Marker™

Caliber 0.68



This Real Action Marker™ is not a toy and it is not intended for unsupervised use by any persons under the age of 18 years.

Warning: Before using this product, please read all instructions carefully.

Front Sight

Fore end Hand Guard

Bolt Release Catch

Loading Gate

Safety Catch

Rear Sight

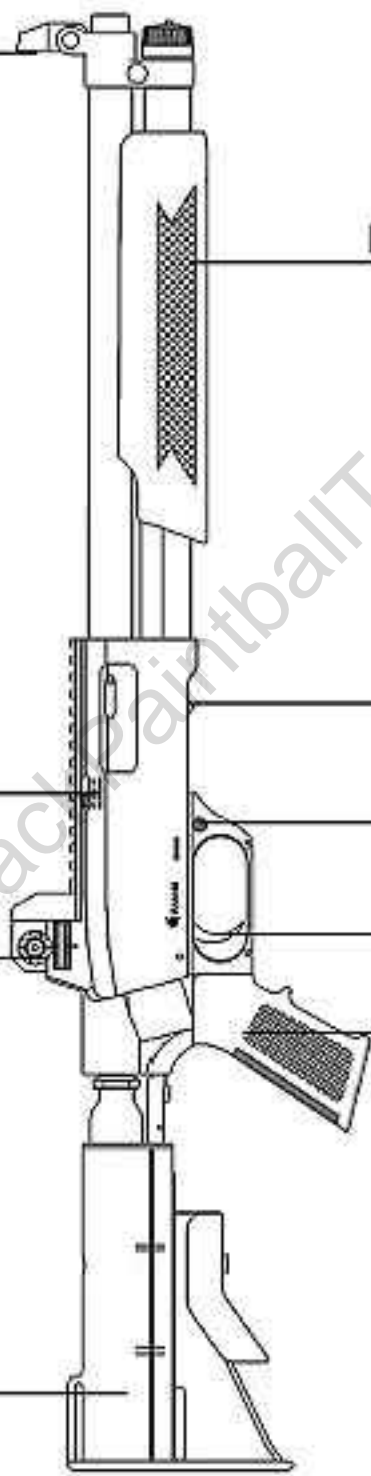
Trigger

Hand Grip

Butt Stock

RAP68

www.WolfpackPaintballTeam.com



Important Notices

- Read the Owner's Manual carefully before using the Marker to avoid any unnecessary accidents or injuries.
- You must be at least 18 years old to operate and handle the Marker.
- Failure to follow the instructions may result in serious injury such as blindness and/or damage to property.
- Wear a protective mask at all times while operating this Marker to avoid injury to your face or eyes.
- DO NOT point or shoot the Marker at anyone who is not wearing a protective equipment.
- Keep the Gas Cylinder and the Marker away from fire or a high temperature area (in excess of 113 F or 45 C).
- Only use Co2 in the Gas Cylinder to operate the Marker.
- DO NOT attempt to disassemble the Marker and gas cylinder when the Gas Cylinder is attached to the Marker.
- Only load the correct size projectiles into the Marker.
- Only use recommended projectiles in the Marker.
- Carry the Marker in a carrying case when in view of the public.
- Ship the Marker or accessories in the original case.
- DO NOT attempt to rebuild or modify the Marker. You may cause serious injuries and may damage the Marker during use. Any unauthorized modification will void all warranties.
- Remove the Gas Cylinder from the Marker after use.
- Keep the Marker and the Gas Cylinder out of reach of children at all times.
- Ensure the muzzle energy (joule) and velocity of the Marker is within the limits of local laws and regulations.
- Immediately seek medical attention if you or anyone is injured by the Marker.

Important Notices (Con')

- Only authorized technicians are permitted to repair the Marker. Contact us for the nearest Authorized Service Center.
- DO NOT ATTEMPT to disassemble and assemble the Gas Cylinder or the Main Core.
- Ensure the Safety Catch is on "SAFE" before and after using the Marker.
- WEAR appropriate protective equipment and eye/face/head protection when using the Marker.

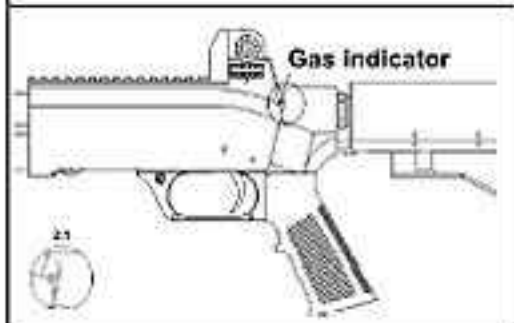
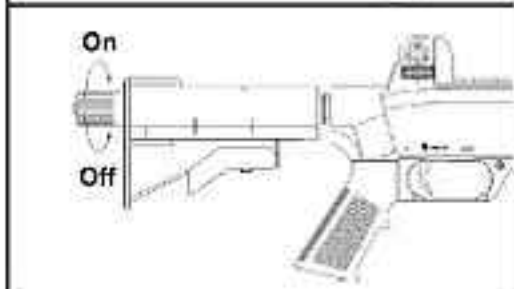
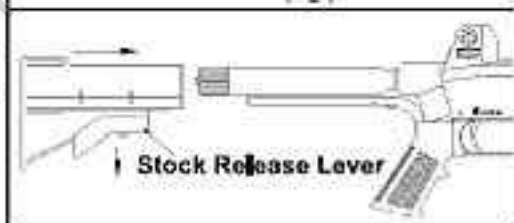
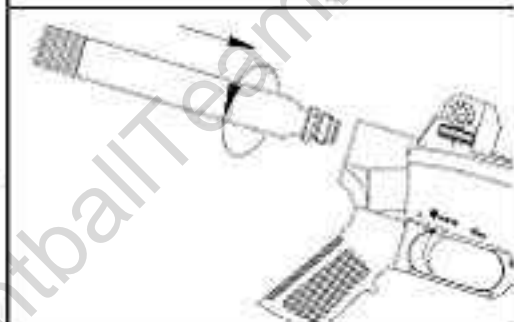
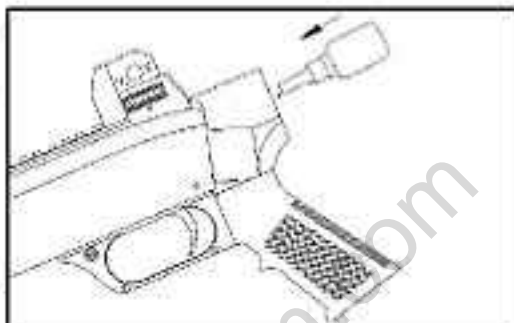
www.WolfpackPaintballTeam.com

Co2 Cylinder Installation

1. Hold the Marker muzzle down; place 2-3 drops of oil in the rear of the marker, then screw the full chargeable Co2 Cylinder into the rear of the Marker.
2. The Red-button gas indicator (at the rear of the Marker Core) will be come out as a signal.
3. Press the button on the Butt Stock Locking Bar, and insert the Bar into the rectangular hole in the rear of the Marker.
4. Pull down the Stock Release Lever and slide it onto the CO2 cylinder.
5. Turn the Co2 Cylinder knob to release gas into the Marker (counter-clockwise).
6. Pump the action and press the trigger 1 or 2 times to ensure proper function.

Notice:

Make sure the Bolt Release Catch at "On" position.

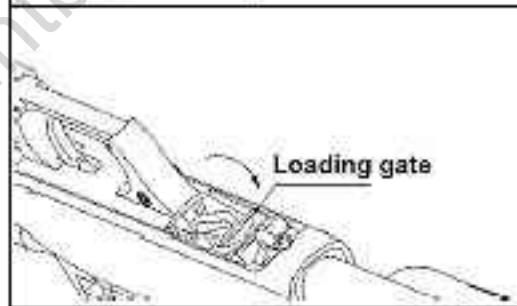
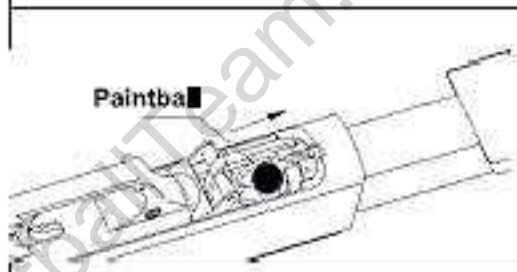
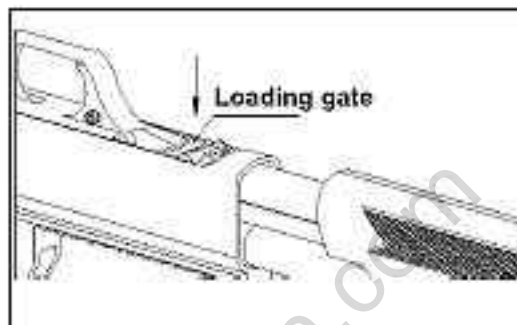


Loading the projectiles

1. Put the slide/pump in the forward position.
2. Turn the marker muzzle down with the pistol grip facing you.
3. Press and open the rear of the loading gate.
4. Place a .68 cal projectile inside the loading gate and press it down into the magazine tube.
5. Repeat step #4 until the magazine tube is full.
6. Press the loading gate closed until it latches.

Notice:

The "Empty Lock Function" should be active when the chamber is empty and the Bolt Release Catch is at "Off" position.

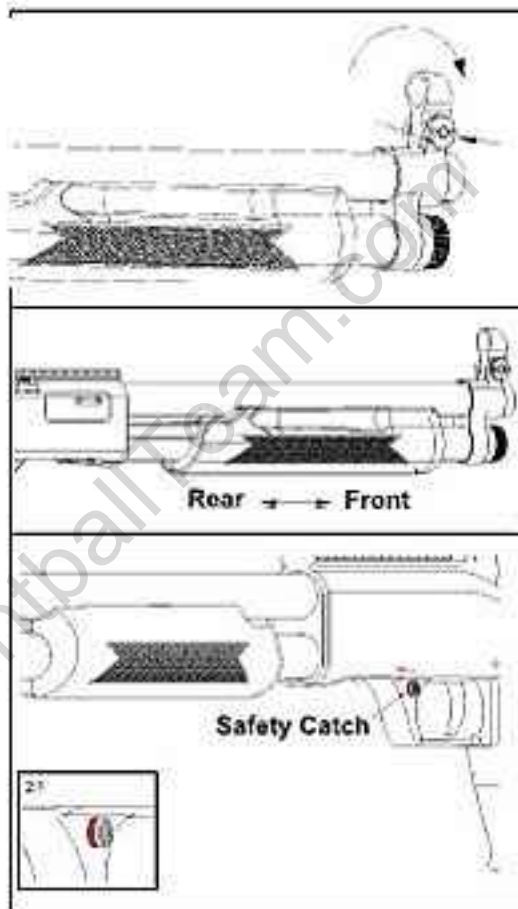


Shooting the Marker

1. Check the Bolt Release Catch at the "Off" position.
2. Press the button at the front sight and pull the front sight up.
3. Keeping your finger out of the trigger guard, point the marker in a safe direction or at your intended target.
4. Pull the Fore end hand guard all the way to the rear in a single, positive motion.
5. Press the Fore end hand guard forward (towards the muzzle) until seated.
6. Press the trigger to fire the marker.
7. If stop firing, press the Safety Catch in front of the trigger guard from left to right. (Safe Mode is activated only after cocked the marker.)
8. If continue firing, press the Safety Catch from right to left. Press the trigger to fire the marker.

Notice:

The "Empty Lock Function" should be active when the chamber is empty and the Bolt Release Catch is at "Off" position.

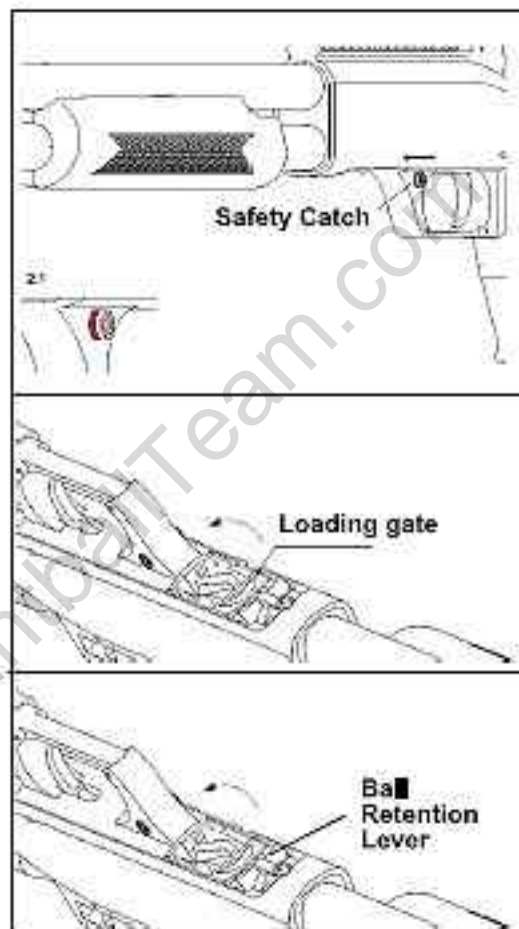


Unloading the Marker

1. Press the Safety Catch in front of the trigger guard from left to right.
2. Turn the marker muzzle down with the pistol grip facing you.
3. Point the muzzle upward slightly.
4. Open the marker's loading gate.
5. Press the the ball retention lever and pull the Fore end hand guard back towards the rear of the marker.

Notice:

Make sure the chamber clear and there are no projectiles.



Uninstalling the Co2 Cylinder and Cleaning Barrel Procedures

1. Turn off the Co2 Cylinder knob (clockwise).
2. Push the Bolt Release Catch to "On" position.
3. Cock the Marker and press the trigger to release all gas in the Marker and repeat this action until there is no gas in the marker core.
4. Unscrew the cylinder and take it out.
5. Push the Bolt Release Catch to "Off" position.
6. Open the marker's loading gate and make sure the chamber clear and there are no projectiles.
7. Place the cleaning wire from the loading gate into the chamber then to the barrel. until one end reaching the muzzle then pull the wire out slowing from the muzzle. Attach a clean and dry cloth if necessary to the cleaning wire. Repeat this step few more times with a cleaned cloth if necessary.

Notice:

Once the cylinder is uninstalled, the red-button gas indicator will be dropped slowly and disappeared finally.

