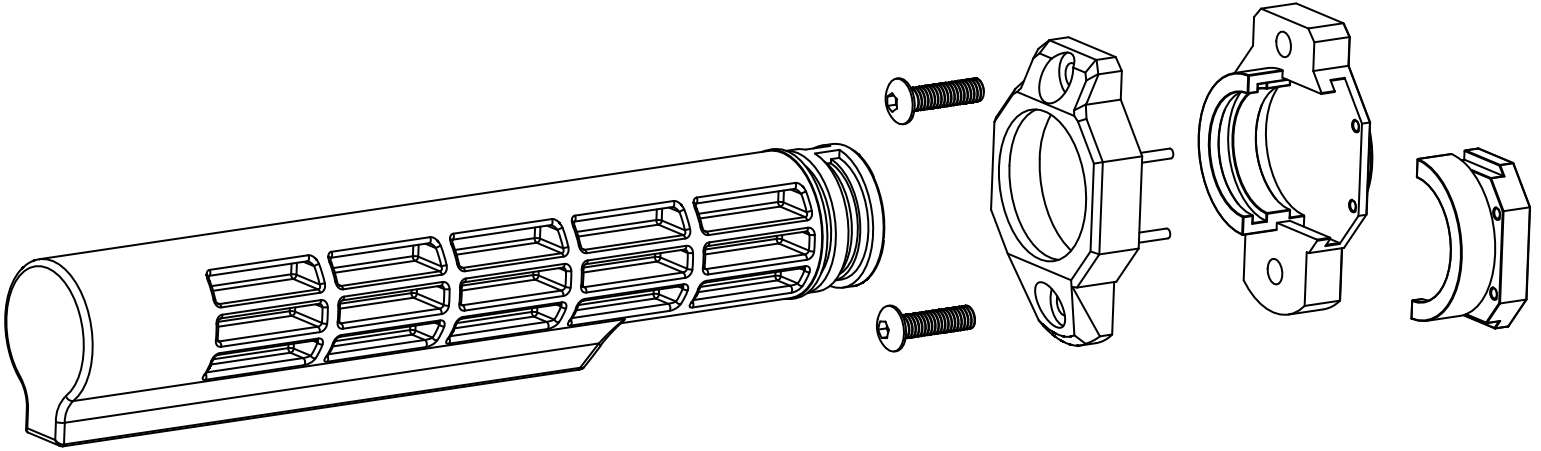


SP-1 STOCK ADAPTOR

SMART PARTS



SP-1 STOCK ADAPTOR INSTALLATION:

- Unload and degas the SP-1. Remove the rear cover from the SP-1, following the instructions in the SP-1 Quick Start Manual.
- Separate the two halves of the adaptor, and slide the locking chock out of the adaptor base.
- Slide the end of a Tippmann* Model 98 compatible stock through the adaptor ring and into the adaptor base. Lock it in place with the adaptor chock.
- Slide the adaptor ring back onto the adaptor base. Its pins will pass through the chock, locking it in place.
- Attach the adaptor assembly to the rear of the SP-1 with the included screws.

* Tippmann and Model 98 are trademarks of Tippmann Sports, LLC, which is not affiliated with Smart Parts, Inc.