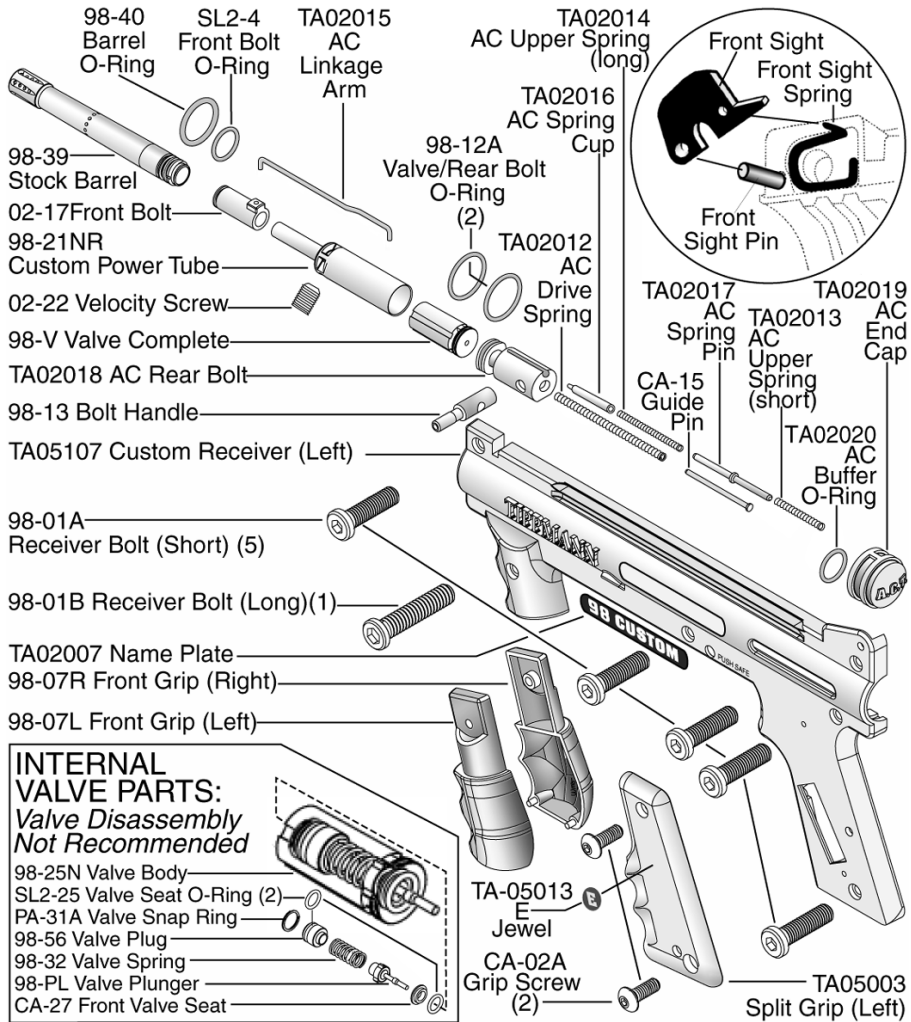
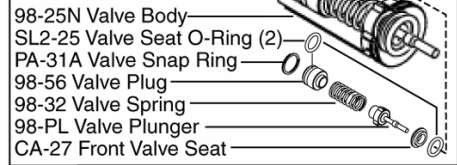


TIPPMANN®

98 CUSTOM WITH E-TRIGGER™ PARTS LIST

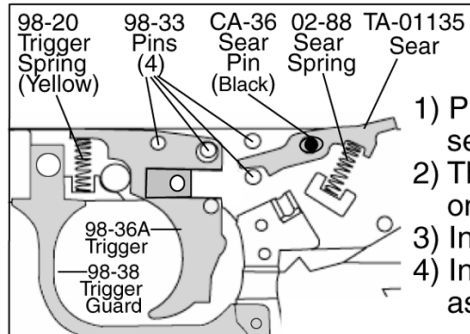


**INTERNAL VALVE PARTS:
Valve Disassembly
Not Recommended**

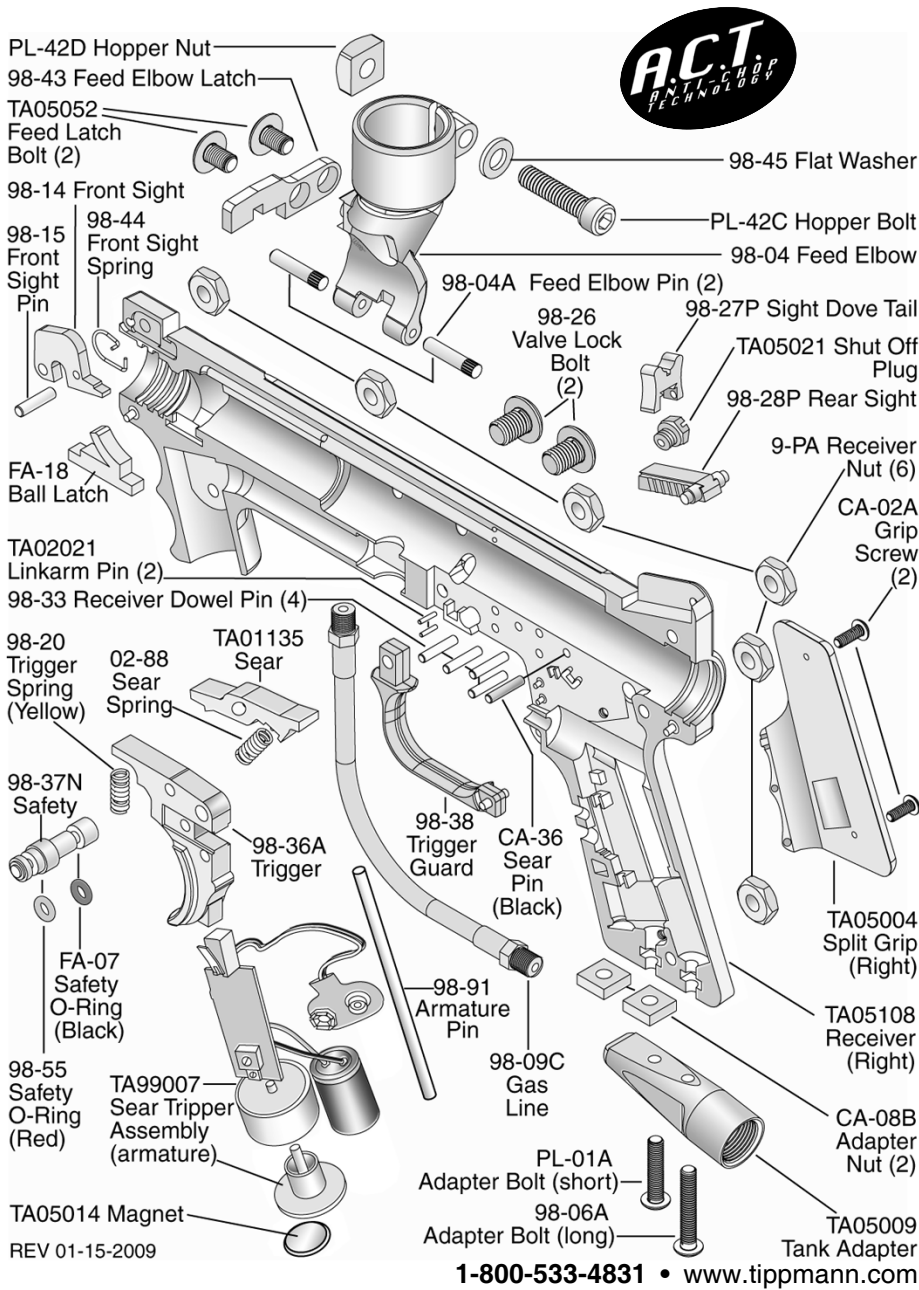


TRIGGER ASSEMBLY

- 1) Place 4 dowel pins and 1 black sear pin into locations as shown.
- 2) Then place the trigger and sear onto pins as shown.
- 3) Insert sear spring as shown.
- 4) Insert trigger spring (yellow) as shown.



WARNING
DO NOT DISASSEMBLE THIS MARKER WHILE IT IS PRESSURIZED WITH AIR. DO NOT PRESSURIZE A PARTIALLY ASSEMBLED MARKER.



1-800-533-4831 • www.tippmann.com