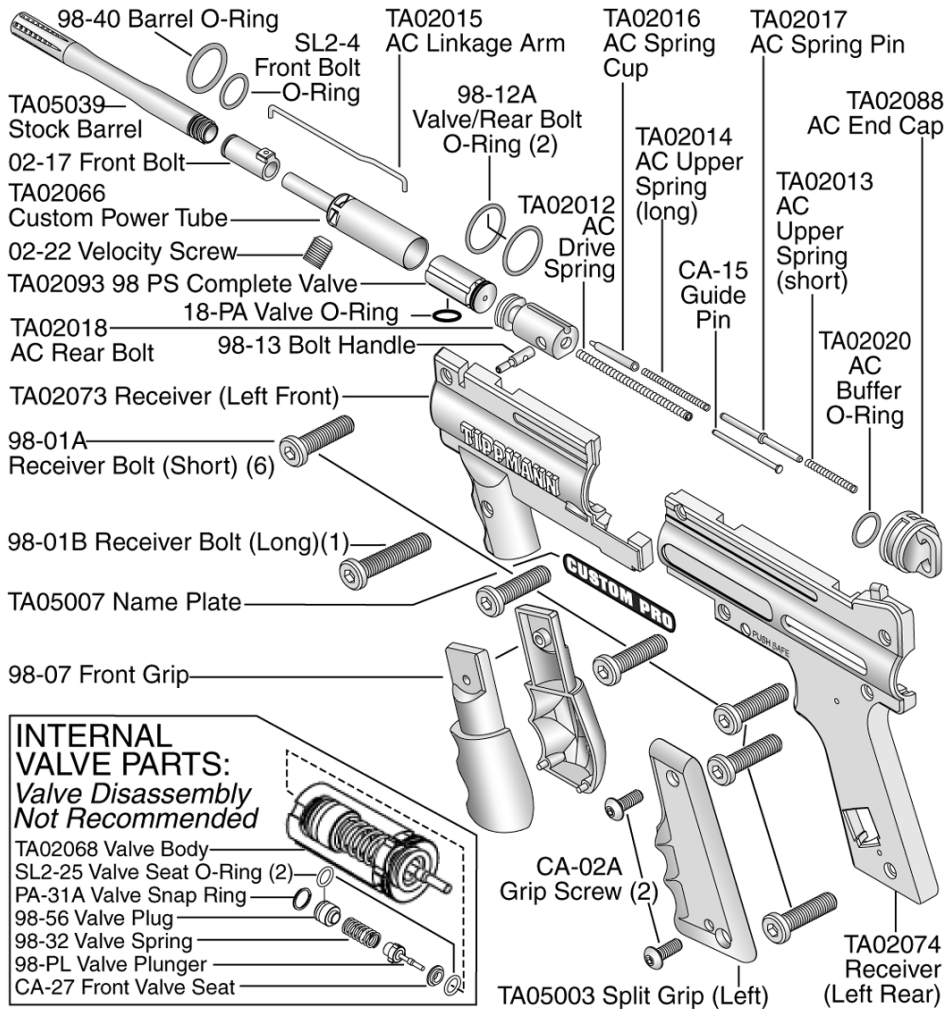
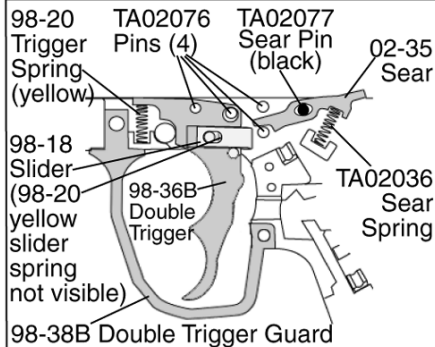
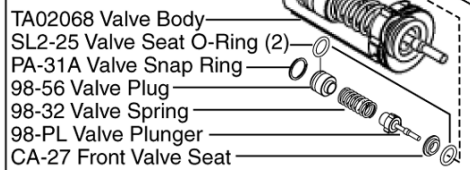


TIPPMANN® 98 CUSTOM PLATINUM SERIES™ PRO™ BASIC PARTS LIST



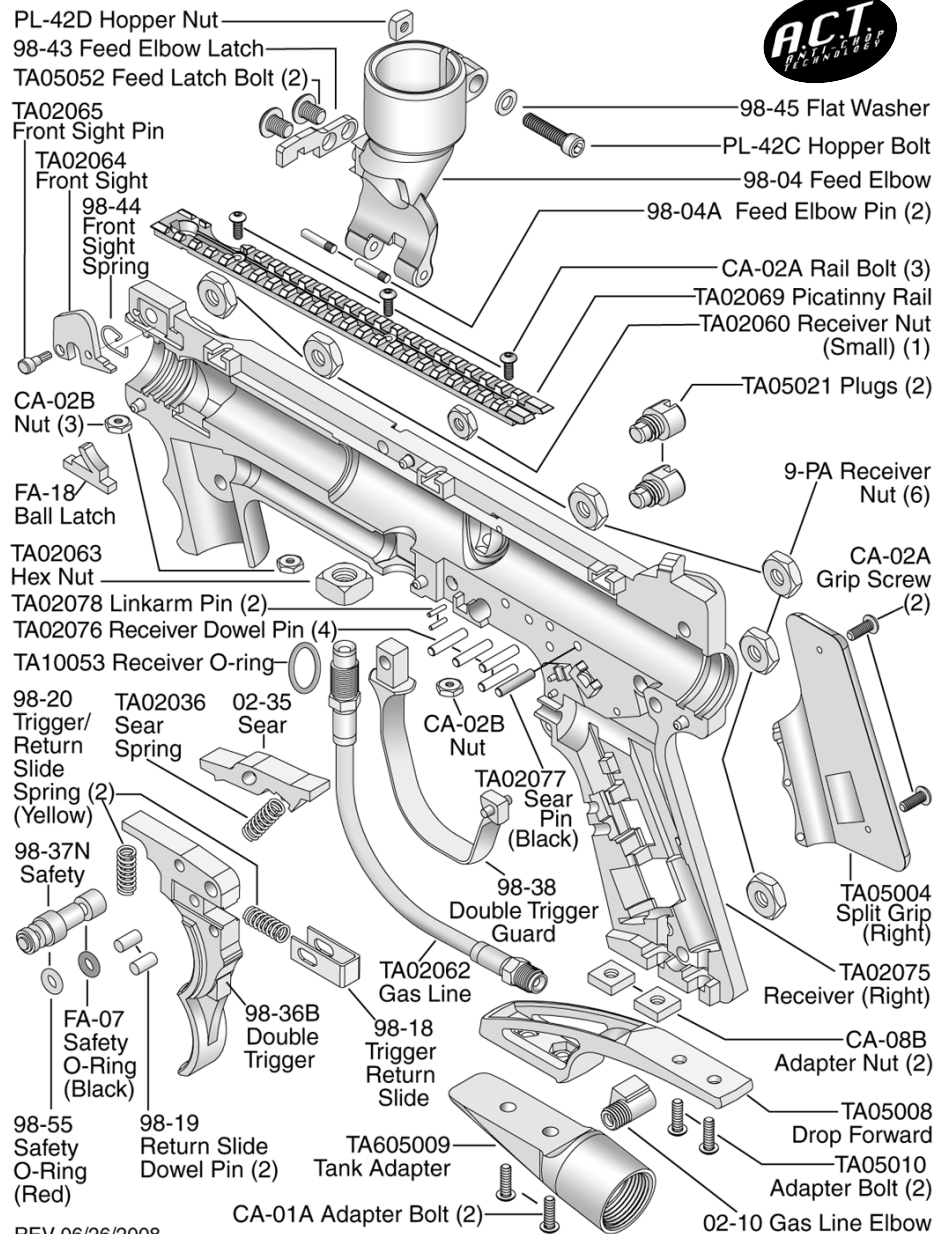
INTERNAL VALVE PARTS: Valve Disassembly Not Recommended



TRIGGER ASSEMBLY

- 1) Place 4 pins and 1 black sear pin into locations as shown.
- 2) Then place the trigger and sear onto pins as shown.
- 3) Insert sear spring as shown.
- 4) Insert trigger spring (yellow) as shown.

WARNING
DO NOT DISASSEMBLE THIS MARKER WHILE IT IS PRESSURIZED WITH AIR. DO NOT PRESSURIZE A PARTIALLY ASSEMBLED MARKER.



REV 06/26/2008

1-800-533-4831 • www.tippmann.com