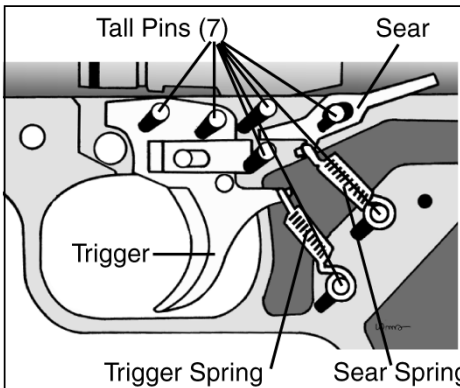


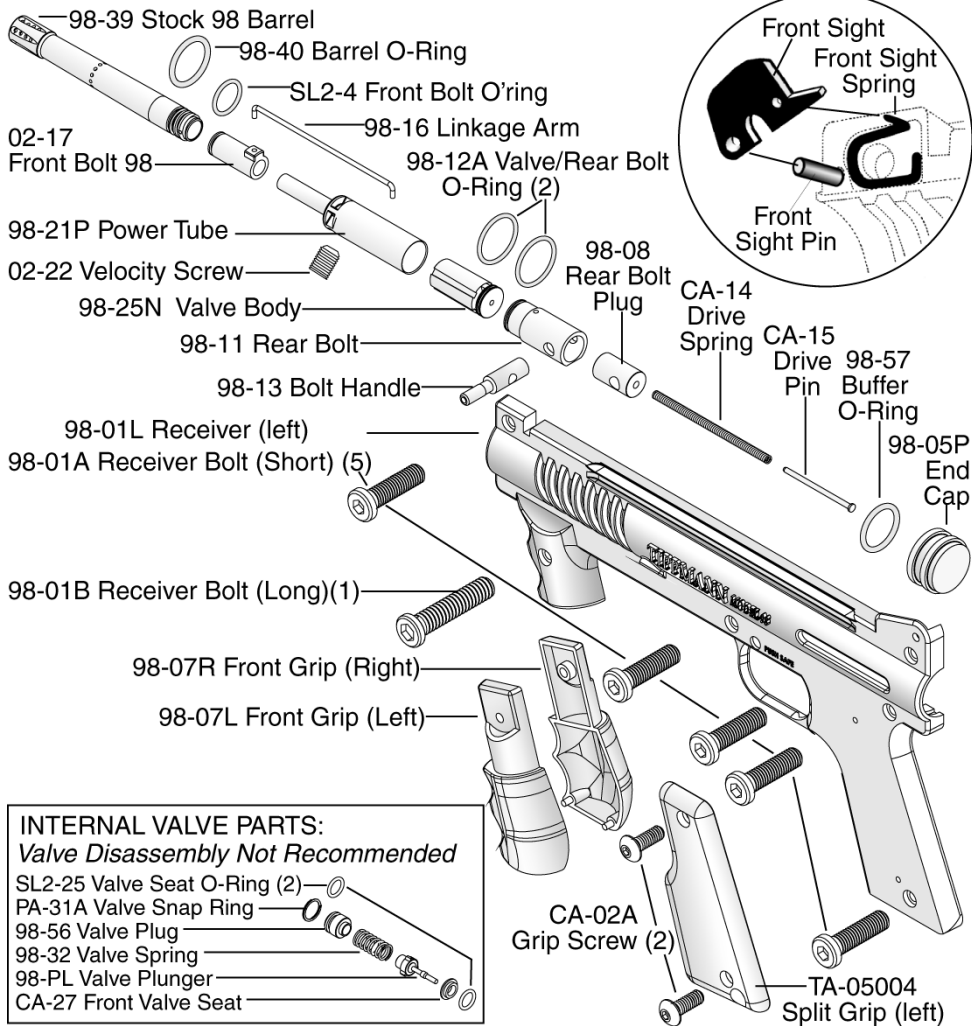
# TIPPMANN™ MODEL 98™

Parts List



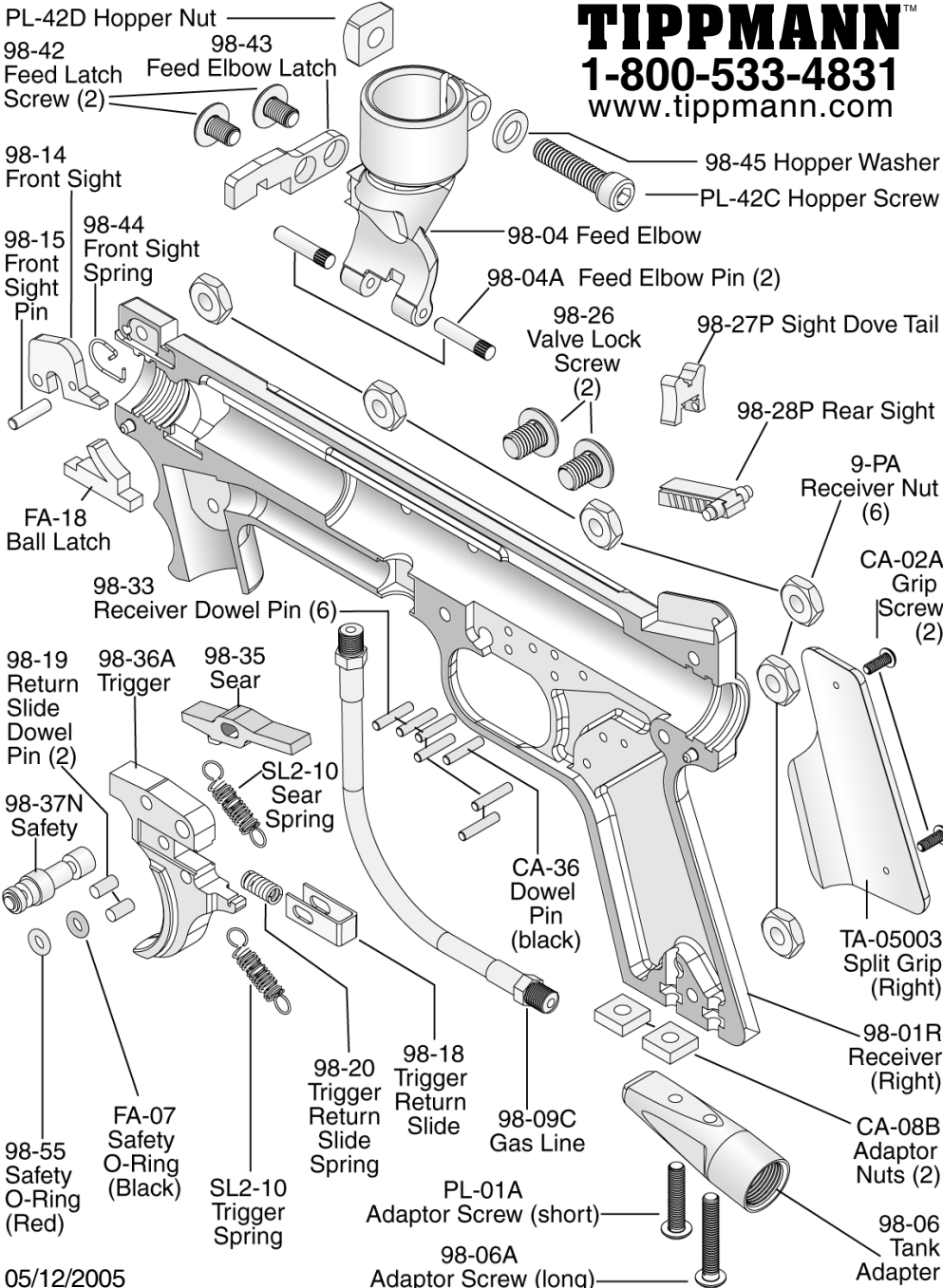
## TRIGGER ASSEMBLY

- 1) Place all (7) tall pins in the locations as shown.
- 2) Then place the trigger and sear onto pins as shown.
- 3) Loop the springs onto the bottom pins and then onto the trigger and sear as shown.



**WARNING**  
**DO NOT FIELD STRIP OR OTHERWISE DISASSEMBLE THIS MARKER WHILE IT IS PRESSURIZED WITH AIR.**

**TIPPMANN™**  
**1-800-533-4831**  
[www.tippmann.com](http://www.tippmann.com)



05/12/2005