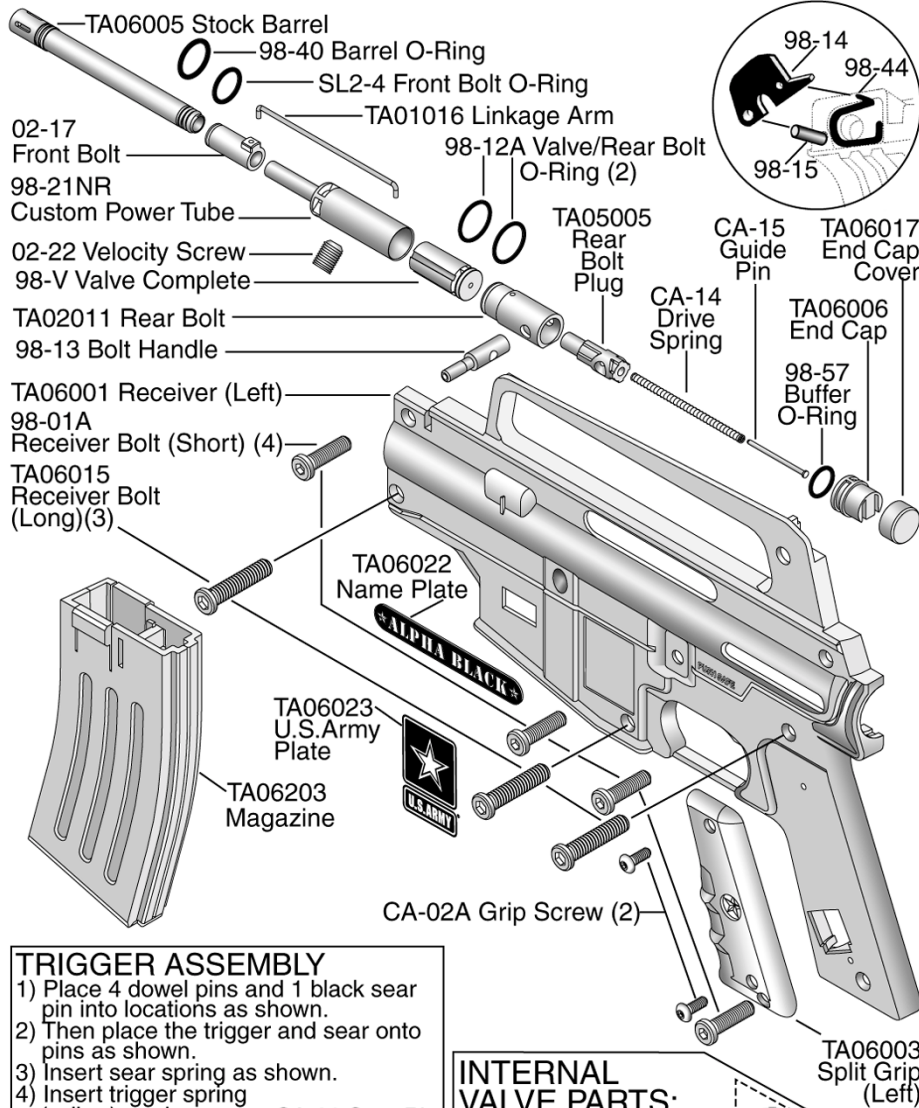


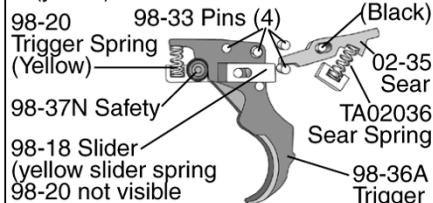
★ALPHA BLACK★

Basic Parts List

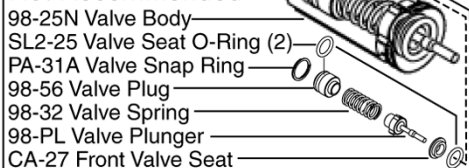


TRIGGER ASSEMBLY

- 1) Place 4 dowel pins and 1 black sear pin into locations as shown.
- 2) Then place the trigger and sear onto pins as shown.
- 3) Insert sear spring as shown.
- 4) Insert trigger spring (yellow) as shown.



INTERNAL VALVE PARTS: Valve Disassembly Not Recommended



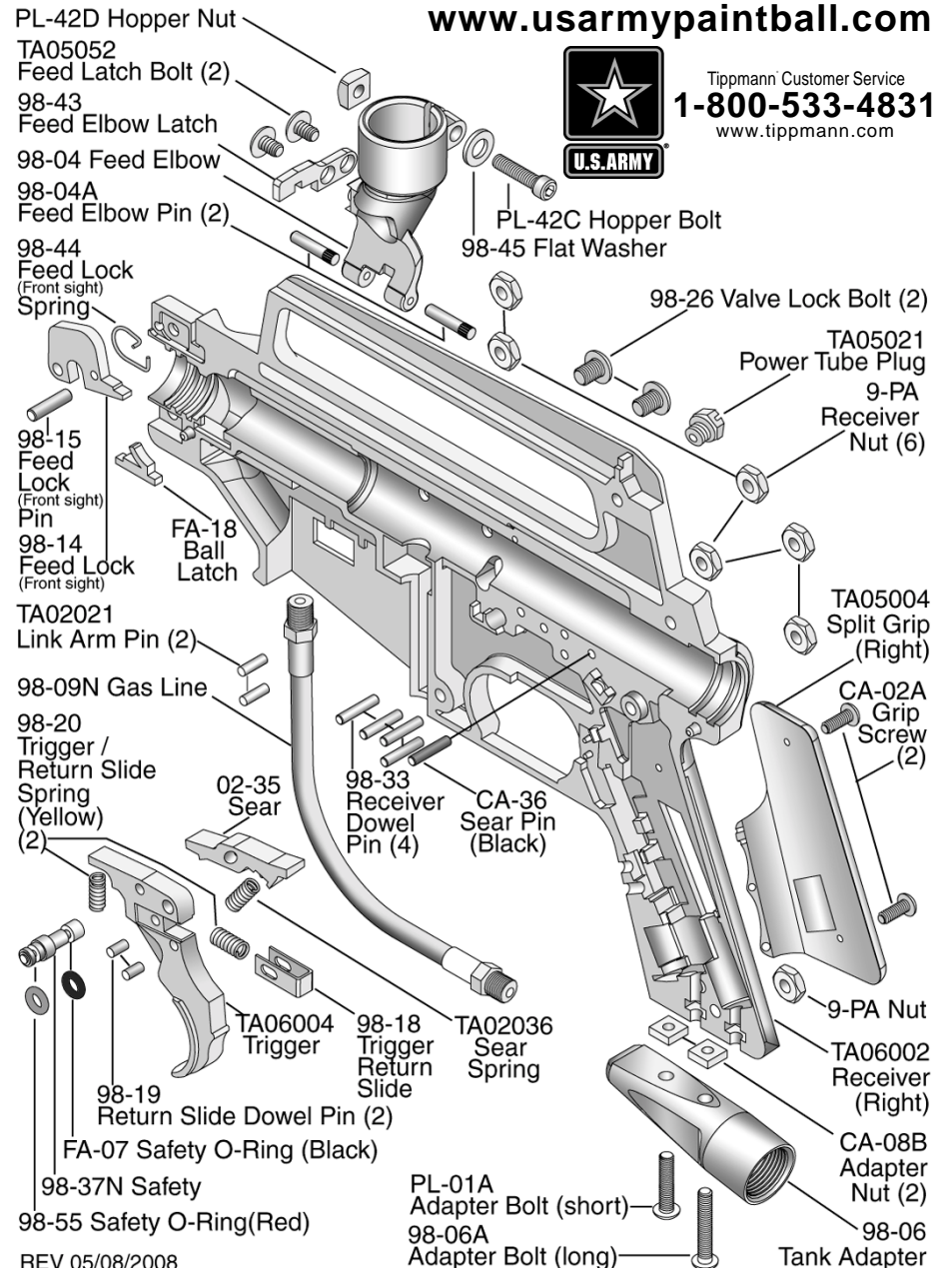
WARNING

DO NOT DISASSEMBLE THIS MARKER WHILE IT IS PRESSURIZED WITH AIR. DO NOT PRESSURIZE A PARTIALLY ASSEMBLED MARKER.

www.usarmypaintball.com



Tippmann Customer Service
1-800-533-4831
www.tippmann.com



1-800-533-4831 • www.tippmann.com