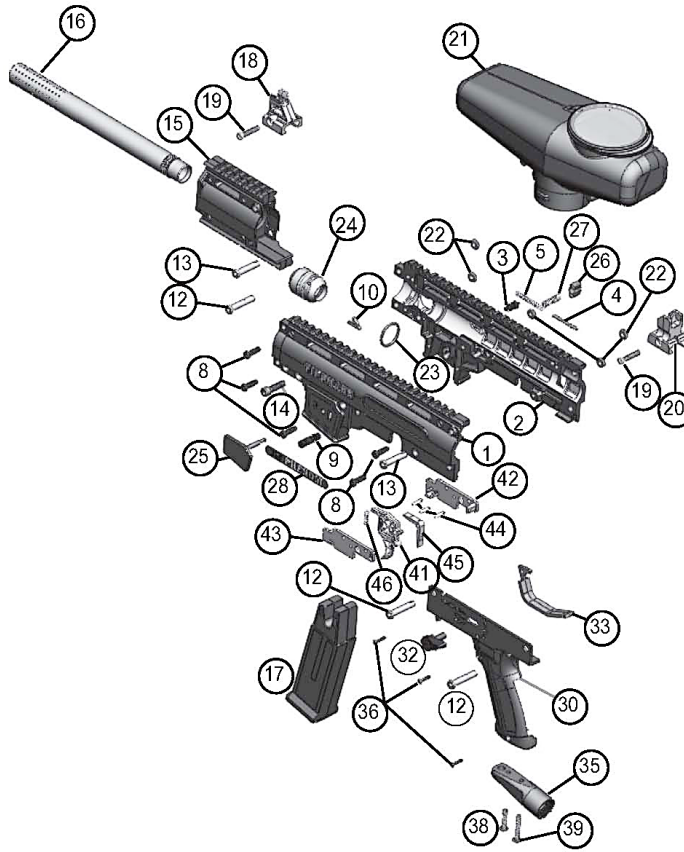


Parts Diagram



Phenom Marker Parts List

ITEM NO.	QTY.	PT. NO.	DESCRIPTION	ITEM NO.	QTY.	PT. NO.	DESCRIPTION	ITEM NO.	QTY.	PT. NO.	DESCRIPTION
1	1	TA30043	"Receiver, Left Half"	31	1	TA99600	Hall Effect Electronics (Electro-pneumatic model)	62	1	TA30040	O-ring
2	1	TA30044	"Receiver, Right Half"	32	1	TA30103	Selector Switch	63	1	TA30104	Regulator Piston Assembly (apply grease when assembling)
3	1	TA30027	CFS Hose Fitting Assembly	33	1	02-38	Trigger Guard	64	1	TA30031	Compression Spring
4	1	TA05016	"Hose, 5/16" ID x 1_'"	34	1	TA10066	Battery Door (Electro-pneumatic model)	65	1	TA30022	Velocity Adjuster
5	1	TA30057	Compression Spring	35	1	TA30015	Air Supply Adapter (ASA)	66	1	TA30054	O-ring
6	1	TA30003	Compression Spring (apply grease when assembling)	36	9	PL-42A	"Screw, #4 x 5/8" Black"	67	1	TA30046	Cyclone Feed System Assembly Complete (pages 17 and 25)
7	1	TA30101	Front Bolt Assembly (apply grease inside and outside)	37	2	CA-08B	"Nut, 10-32 Square MS"	68	1	02-43	Feeder Housing
8	5	98-01A	"Screw, LSHCS"	38	1	PL-01A	"Screw, BHCS"	69	1	02-50	Feeder Ratchet Spring
9	1	TA30016	Pressure Gauge Plug Assembly	39	1	98-06A	"Screw, BHCS"	70	1	02-42	_ - 20 Flange Nut
10	1	FA-18	Ball Latch	40	1	TA30045	Gas Line Assembly	71	1	02-53	Feeder Ratchet
11	1	TA10038	End Cap	41	1	TA30100	Trigger Assembly	72	1	02-54	Feeder Cylinder Piston
12	3	TA10045	Push Pin Assembly	42	1	TA30008	"Trigger Plate, Right"	73	1	02-52L	"Dowel Pin, 3/32 OD x 7/16'"
13	2	02-PIN	Push Pin Assembly	43	1	TA30007	"Trigger Plate, Left"	74	1	TA01260	Compression Spring
14	1	02-41	_ - 20 UNC x " SHCS	44	3	02-33	"Dowel Pin,"	75	1	02-52S	"Dowel Pin, 3/32 OD x 5/16'"
15	1	TA30047	Front Grip/Shroud Assembly	45	1	TA30013	Trigger Lever	76	1	02-51	Ratchet Spring Guide
16	1	TA30041	Barrel	46	1	02-88	Compression Spring	77	1	02-49	Feeder Axle
17	1	TA30004	Magazine	47	1	TA30024	"Valve Body, Machined (apply grease inside and outside)"	78	1	02-64	Feeder Cylinder Plug
18	1	TA06061	Front Sight Assembly	48	1	TA30018	Spacer Washer	79	1	02-66	Compression Spring
19	2	TA07065	Bolt	49	1	TA20077	Bumper Disk	80	1	02-63	Piston U-Cup Seal
20	1	TA06041	Rear Sight Assembly	50	1	TA30038	Firing Spool Complete	81	1	02-65	Feeder Reset Rod
21	1	TA10042	Hopper Assembly	51	1	TA30030	Compression Spring	82	1	TA10034	Feeder Cylinder
22	5	9-PA	"Hex Nut, Black"	52	1	TA30020	Valve Spool Spacer Complete	83	1	02-61	Feeder Reset Button
23	1	TA20046	O-ring	53	1	02-88	Compression Spring	84	1	SL2-6	O-Ring
24	1	02-69	Barrel Adapter Assembly	54	1	TA30028	Regulator Pin	85	1	02-44	Feeder Bottom Plate
25	1	TA30006	Magazine Release Pin	55	1	TA20075	Regulator Pin Seal	86	1	TA30012	Lower Feeder Sprocket
26	1	TA30009	Magazine Release Button	56	1	TA30025	Regulator Seat	87	1	TA30011	Upper Feeder Sprocket
27	1	TA30032	Compression Spring	57	2	TA20008	"O-Ring, C.U., 70A, 2-003"	88	1	02-48	#4 Flat Washer
28	1	TA30042	Name Plate	58	1	TA30036	Valve Core	89	1	20-07	Banjo Fitting Assembly
29	1	TA30061	"Lower Receiver, Right (Mechanical model)"	59	1	TA30037	Trigger Pin Plug	90	1	TA99004	"9V Battery (Electro-pneumatic model, shown on page 23)"
30	1	TA30001	"Lower Receiver, Left (Electro-pneumatic model)"	60	1	TA30039	Trigger Pin	91	4	TA30049	"O-Ring, Gas Line"
				61	1	TA30026	Regulator Body				