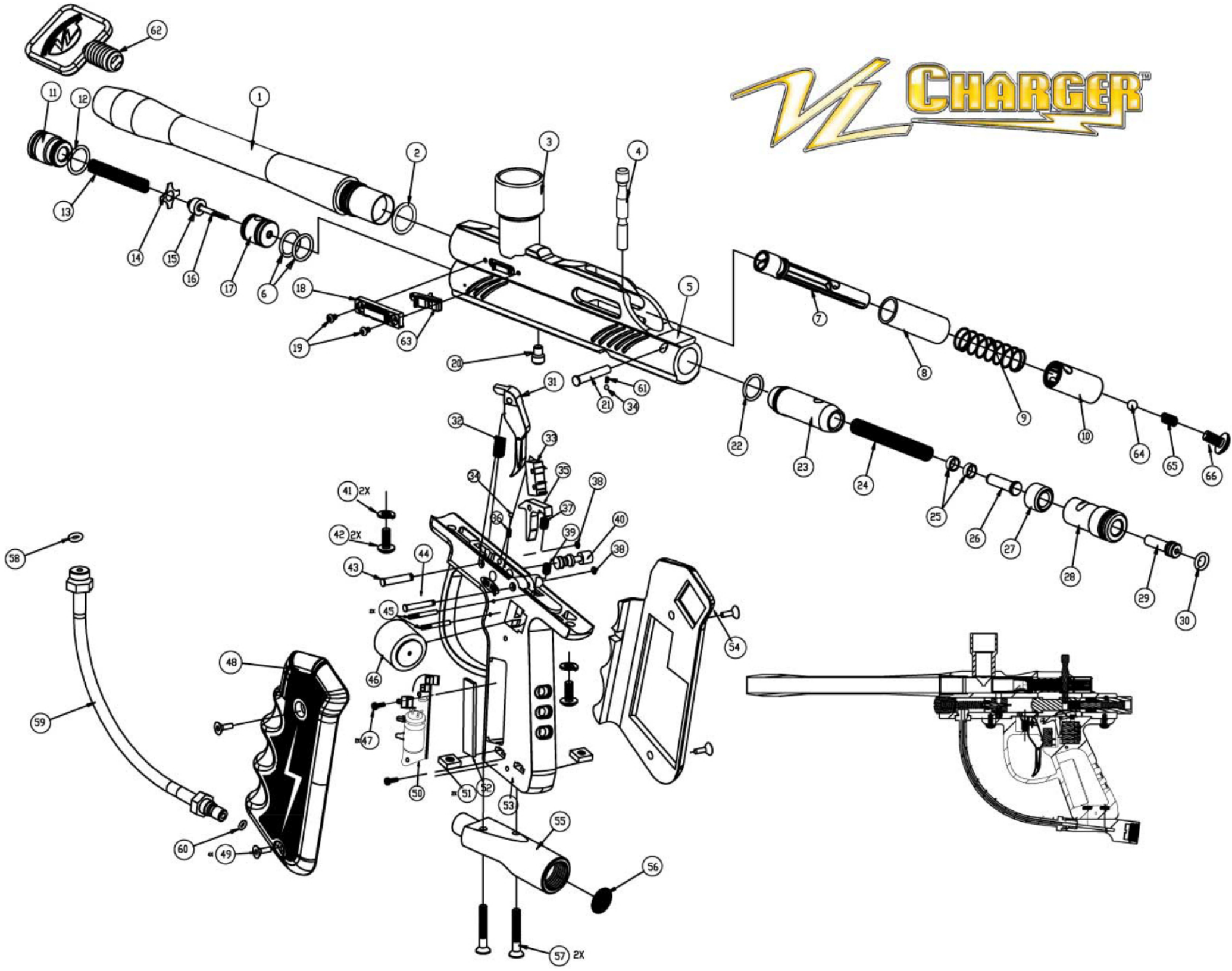


VZ CHARGER™



PARTS LIST

Key	Part No.	Description			
01	134261-000	Barrel	40	134973-000	Safety
02	137527-000	O-ring	41	130806-000	Lock washer
03	131548-000	Feedport adapter	42	130815-000	Retaining screw
04	131951-000	Cocking pin	43	131085-000	Pin - trigger pivot
05	134702-000	Receiver	44	131166-000	Pin
06	130731-000	O-ring	45	131573-000	Micro switch pin
07	134856-000	Bolt	46	134705-000	Solenoid
08	134834-000	Slide	47	131487-000	Screw
09	134869-000	Spring	48	134715-000	Grip - left
10	134855-000	Bushing	49	131427-000	Grip screws
11	134321-000	Valve plug	50	134708-000	PC board
12	136952-000	O-ring	51	134412-000	Square nut
13	131104-000	Valve spring	52	130291-000	Sensor tag
14	130811-000	Valve guide	53	134701-000	Trigger frame
15	133901-000	Valve seal	54	134714-000	Grip - right
16	131410-000	Valve stem	55	134262-000	Bottomline adaptor
17	131183-000	Valve body	56	130727-000	Filter
18	131033-000	Ball stop cover	57	131087-000	Bottomline screw
19	130743-000	Ball stop screws	58	130729-000	O-ring
20	131220-000	Valve set screw	59	134263-000	Braided hose
21	131443-000	Retaining pin	60	130739-000	O-ring
22	131409-000	O-ring	61	66294	Ball detent spring
23	131545-000	Striker	62	131577-000	Barrel plug
24	131105-000	Striker spring	63	131032-000	Ball stop
25	131113-000	Spacer	64	131214-000	Detent ball
26	131559-000	Spring guide	65	131266-000	Detent spring
27	131081-000	Bumper	66	134978-000	Weight
28	131560-000	Striker plug			
29	131561-000	Velocity adjustment screw			
30	137629-000	O-ring			
31	134716-000	Trigger			
32	131521-000	Trigger spring			
33	134706-000	Switch			
34	130781-000	Ball detent			
35	134829-000	Sear			
36	130780-000	Ball detent spring			
37	131515-000	Sear spring			
38	130884-000	O-ring			
39	130810-000	Set screw			